

Installation Manual **COLOR SCANNING SONAR**

MODEL CSH-5LMARK-2

(Product Name: FULL-CIRCLE SCANNING SONAR)

SAFETY INSTRUCTIONS	i
SYSTEM CONFIGURATION	iii
EQUIPMENT LISTS.....	iv
1. MOUNTING.....	1-1
1.1 Hull Unit	1-2
1.2 Pre-amplifier Unit	1-11
1.3 Transceiver Unit.....	1-12
1.4 Processor Unit	1-13
1.5 Control Unit.....	1-13
1.6 Ground	1-16
1.7 Motion Sensor (option).....	1-17
1.8 DC-AC Inverter (option)	1-17
2. WIRING.....	2-1
2.1 General Description for Cabling.....	2-1
2.2 Hull unit/Pre-amplifier Unit	2-3
2.3 Transceiver Unit.....	2-8
2.4 Processor Unit	2-11
2.5 Synchronizing Transmission with Other Equipment	2-16
2.6 DC-AC Inverter	2-20
3. ADJUSTMENTS	3-1
3.1 Measuring TX Output.....	3-1
3.2 Heading Alignment.....	3-2
3.3 Setting for External Equipment	3-3
3.4 Setting GPS Navaid Smoothing.....	3-5
3.5 NMEA Version Setting	3-6
3.6 Adjusting Echo Sounder Video	3-6
3.7 Sea Trial.....	3-7
APPENDIX 1 JIS CABLE GUIDE	AP-1
APPENDIX 2 PROCEDURE FOR RETROFITTING	AP-2
PACKING LIST	A-1
OUTLINE DRAWINGS	D-1
INTERCONNECTION DIAGRAM	S-1

ECF

(Elemental Chlorine Free)

The paper used in this manual
is elemental chlorine free.

FURUNO ELECTRIC CO., LTD.

9-52 Ashihara-cho,
Nishinomiya, 662-8580, JAPAN

• FURUNO Authorized Distributor/Dealer

All rights reserved. Printed in Japan

Pub. No. IME-13500-A1

(ETMI) CSH-5L MARK-2

A : JUN. 2015

A1 : SEP. 25, 2017





0 0 0 1 9 0 9 0 8 1 0











SAFETY INSTRUCTIONS

The operator must read the safety instructions before attempting to operate the equipment.


 WARNING	Indicates a potentially hazardous situation which, if not avoided, could result in death or serious injury.
 CAUTION	Indicates a potentially hazardous situation which, if not avoided, could result in minor or moderate injury.

 Warning, Caution	 Prohibitive Action	 Mandatory Action
--	--	--


 WARNING	
	ELECTRICAL SHOCK HAZARD Do not open the equipment unless totally familiar with electrical circuits and service manual. Only qualified personnel are allowed to work inside the equipment.
	Turn off the power at the switchboard before beginning the installation. Fire or electrical shock can result if the power is left on.
	Do not install the equipment other than the transducer where they may get wet from rain or water splash. Water in the equipment can result in fire, electrical shock or equipment damage.
	Be sure no water leaks in at the transducer installation site. Water leakage can sink the vessel. Also confirm that the transducer will not loosen by ship's vibration. The installer of the equipment is solely responsible for the proper installation of the equipment. FURUNO will assume no responsibility for any damage associated with improper installation.

 WARNING	
	Install the specified transducer tank in accordance with the installation instructions. If a different tank is to be installed the shipyard is solely responsible for its installation, and it should be installed so the hull will not be damaged if the tank strikes an object. The tank or hull may be damaged if the tank strikes an object.
	When assembling the hull unit, fasten the shaft retainer and fastening band with the torques shown below. Shaft retainer: 20 to 25 N•m Fastening band: 6 to 8 N•m If torques are less than the above, water leakage may occur because the shaft may loosen and fall.


 **CAUTION**

 **Turn off the POWER switch on the hull unit before manually raising or lowering the transducer (with the ratchet wrench).**

Bodily injury can result if the ratchet wrench rotates unexpectedly, because the raise/lower motor may start up.

 **Observe the following compass safe distances to prevent interference to a magnetic compass:**

	Standard compass	Steering compass
Processor unit	0.4 m	0.3 m
Control unit	0.3 m	0.3 m
DC-AC inverter	1.4 m	0.9 m

 **Observing the following speed limits when testing the equipment at sea trial:**

Raising/lowering transducer: 16 kn max.
 Transducer completely lowered: 18 kn max.

Exceeding above limits will damage the equipment and void the warranty.

 **CAUTION**

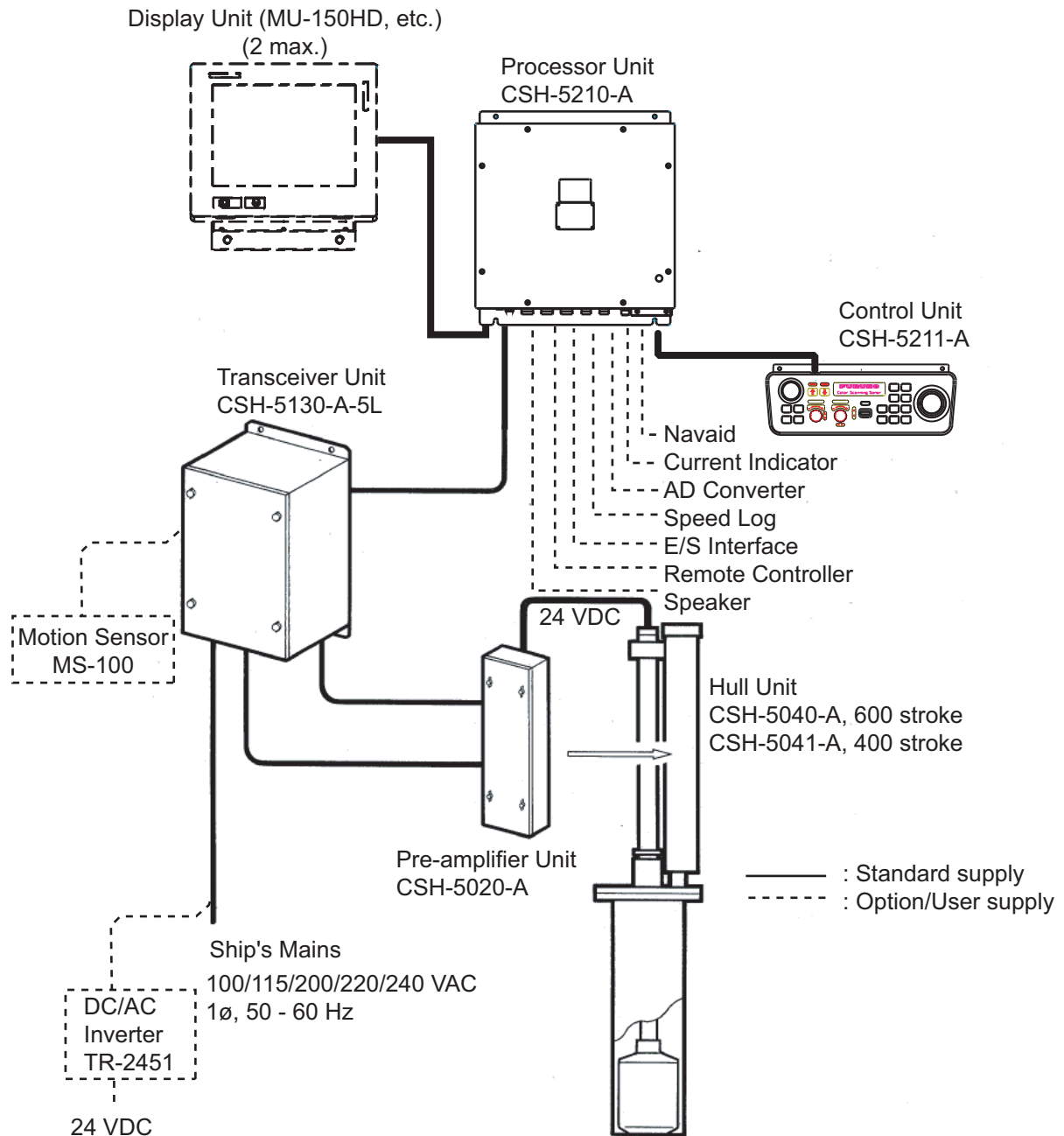
 **The zinc block near the transducer must be replaced yearly.**

The junction between the transducer and main shaft may corrode, which can result in loss of the transducer or water leakage inside the ship. Replace the zinc block yearly.

 **Attach protective earth securely to the ship's body.**

The protective earth is required to the transceiver unit and DC-AC inverter (option) to prevent electrical shock.

SYSTEM CONFIGURATION



EQUIPMENT LISTS

Standard Supply

Name	Type	Code No.	Qty	Remarks
Processor Unit	CSH-5210-A	-	1	
Control Unit	CSH-5211-A	-	1	
Transceiver Unit	CSH-5130-A-5L	-	1	
Pre-amplifier Unit	CSH-5020-A	-	1	
Hull Unit	CSH-5040-A	-	1	600 stroke
	CSH-5041-A	-		400 stroke
Installation Materials	CP10-05201	006-910-940	1	For processor unit
	CP10-05202	006-904-860	1	For transceiver unit
	CP10-05203	006-904-880	1	For pre-amplifier unit
	For cables, see the table below.			
Accessories	FP10-02701	006-905-030	1	For control unit
Spare Parts	SP10-02901	006-907-700	1	For processor unit
	SP10-02902	006-904-850	1	For transceiver unit

Installation Materials (Cables)

Type	Code	Transceiver unit/ Pre-amplifier unit		Processor unit/ Transceiver unit	Display unit/ Processor unit	
		TX cable	RX cable	Processor cable	Display cable	
CP10-05300	000-069-059	S10-7-5	10S1562 5 m	S10-6-15(38P)	3COX-2P-6C 5 m	
CP10-05310	000-069-067		10S1562 5 m	S10-6-30(38P)		
CP10-05320	000-069-068		10S1562 5 m	S10-6-50(38P)		
CP10-05330	000-069-069	S10-7-10	10S1563 10 m	S10-6-15(38P)	3COX-2P-6C 10 m	
CP10-05340	000-069-070		10S1563 10 m	S10-6-30(38P)		
CP10-05350	000-069-072		10S1563 10 m	S10-6-50(38P)		
CP10-05360	000-069-073	S10-7-15	10S1564 15 m	S10-6-15(38P)		
CP10-05370	000-069-074		10S1564 15 m	S10-6-30(38P)		
CP10-05380	000-069-075		10S1564 15 m	S10-6-50(38P)		
CP10-05400	000-069-076	S10-7-5	10S1562 5 m	S10-6-15(38P)		3COX-2P-6C 10 m
CP10-05410	000-069-077		10S1562 5 m	S10-6-30(38P)		
CP10-05420	000-069-096		10S1562 5 m	S10-6-50(38P)		
CP10-05430	000-069-184	S10-7-10	10S1563 10 m	S10-6-15(38P)	3COX-2P-6C 10 m	
CP10-05440	000-069-186		10S1563 10 m	S10-6-30(38P)		
CP10-05450	000-069-229		10S1563 10 m	S10-6-50(38P)		
CP10-05460	000-069-230	S10-7-15	10S1564 15 m	S10-6-15(38P)		3COX-2P-6C 10 m
CP10-05470	000-069-244		10S1564 15 m	S10-6-30(38P)		
CP10-05480	000-069-245		10S1564 15 m	S10-6-50(38P)		

Name	Type	Code No.	Qty	Remarks	
Processor cable	S10-6-15 (38P)	006-976-580	1	15 m	Processor/ Transceiver units
	S10-6-30 (38P)	006-976-590		30 m	
	S10-6-50 (38P)	006-976-600		50 m	

Name	Type	Code No.	Qty	Remarks	
TX cable	S10-7-5	006-976-610	1	5 m	Transceiver/ Pre-amplifier units
	S10-7-10	006-976-460		10 m	
	S10-7-15	006-976-470		15 m	
RX cable	10S1562	006-976-620	1	5 m	Transceiver/ Pre-amplifier units
	10S1583	006-976-440		10 m	
	10S1584	006-976-450		15 m	
Display unit cable	3COX-2P-6C 5M	000-146-500	1	5 m	Display/ Processor units
	3COM-2P-6C 10M	000-146-501		10 m	

Hull unit can be arranged as below.

CSH - 5130 - A - 5L - (1) - (2)

(1): Input voltage: 60 (100 VAC), 72 (220 VAC)

(2): Frequency: 55 kHz, 68 kHz

Hull unit can be arranged as below.

CSH- (1) - A - (2) - (3) - (4)

(1):Stroke: 5040 (600 stroke) or 5041 (400 stroke)

(2): Frequency: 55 kHz or 68 kHz

(3):Tank: N (None), S (Steel), F (FRP)

(4): Shaft length:13 (1300 mm), 15 (1550 mm), 23 (2350 mm), 40 (4065 mm), 94 (945 mm)

Ex) Stroke: 600 mm; Frequency; 55 kHz; Steel tank, Shaft length, 2350 mm,
Type is CSH-5040-A-55-S-23.

Optional Supply

Name	Type	Code No	Qty	Remarks
DC-AC Inverter	TR-2451	000-146-774	1 set	
E/S Interface	VI-1100A	000-023-025	1 set	
Retraction Tank	OP10-5	000-019-283	1 set	Made of aluminum
	SHJ-0001-2	661-000-012	1 set	Made of steel
Speaker	SEM-21Q	000-144-917	1 set	
Motion Sensor	MS-100	000-010-250	1 set	
Remote Controller	CSH-7040	000-069-138	1 set	
Fairing	06-021-4502	001-159-790	1 set	For an FRP ship

This page is intentionally left blank.

1. MOUNTING

NOTICE

Be sure the power supply matches equipment voltage rating.

Improper power supply will damage the equipment.

Locate the transducer where the affects of noise and air bubbles are minimal.

Noise and air bubbles will affect performance.

When selecting a mounting location keep the following points in mind:

- Keep equipment out of direct sunlight.
- Keep equipment away from air conditioner.
- The useable temperature range of the display unit is 0°C - 50°C.
- Provide sufficient ventilation.
- Select location where vibration is minimal.
- Locate the equipment away from magnets or equipment generating magnetic fields.

Keep the transducer cable away from oil.

Oil can corrode the cable.

Do not expose the transducer to hot water.

Hot water can damage the transducer.

Do not turn on the equipment with the transducer exposed to air.

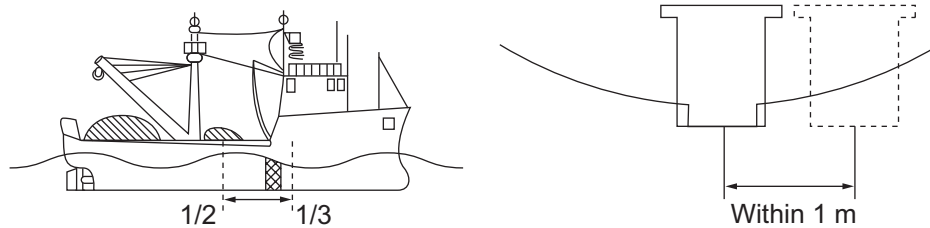
Exposing the transducer to air may damage it.

1.1 Hull Unit

1.1.1 Installation position of hull unit

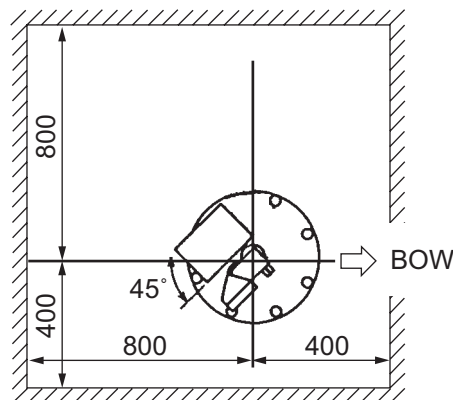
Discussion and agreement are required with the dockyard and the ship owner in deciding the installation position of the hull unit. When deciding the installation position, the following points should be taken into account.

- 1) Select an area where propeller noise, cruising noise, bubbles and interference from turbulence are at a minimum. Generally, the point at $1/3$ to $1/2$ of the ship's length from the bow on or near the keel is optimum. On-the-keel installation is advantageous for minimizing oil consumption in comparison with off-the-keel. In case the hull unit cannot be installed on the keel, the center of the retraction tank should be within 1 m of the keel so as to prevent a rolling effect.



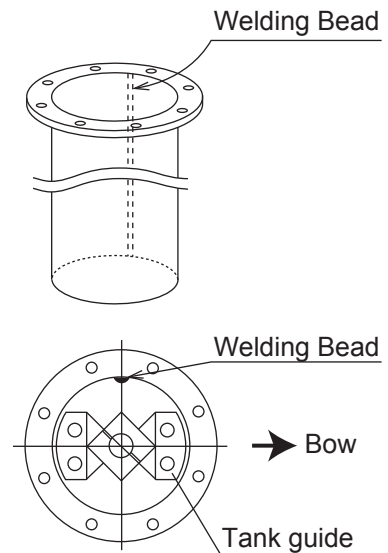
Installation position of hull unit

- 2) Select a place where interference from other equipment is minimal. The hull unit should be at least 2.5 m away from the transducers of other equipment.
- 3) An obstacle in the fore direction not only causes shadow zone but also aerated water, resulting in poor sonar performance.
- 4) The following space is required around the hull unit for wiring and maintenance. If the ambient temperature of the unit is below 0°C , the sonar compartment must be provided with a heater so as to keep the temperature above 0°C .



Sonar room

Note: When the retraction tank is made locally, finish it so that the welding bead does not protrude on the inner surface of the tank. The tank guide will hit the bead, causing motor burn-out. The gap between the tank and tank guide is 1 mm. Also when installing the tank, orient the welding bead so it faces the port or starboard side.



1.1.2 Installation of retraction tank

The retraction tank is 1000 mm in length when supplied. Cut the end of the tank referring to the table below so that the transducer is fully protruded beyond the keel when it is lowered. Refer to the tank installation method at the end of this manual.

Cutting the end of retraction tank

		Tank Installation Method	
Tank Cutting		<p>When the length of tank is 1000 mm: 750 mm (600 travel, shaft length 1300) 550mm (400 travel, shaft length 945)</p>	<p>When the length of tank is 1000 mm: 750 mm (600 travel, shaft length 1300) 550mm (400 travel, shaft length 945)</p> <p>Cut along the hull bottom.</p>

Note: It is not necessary to cut the shaft when there is enough space above the raise/lower drive assembly.

1. MOUNTING

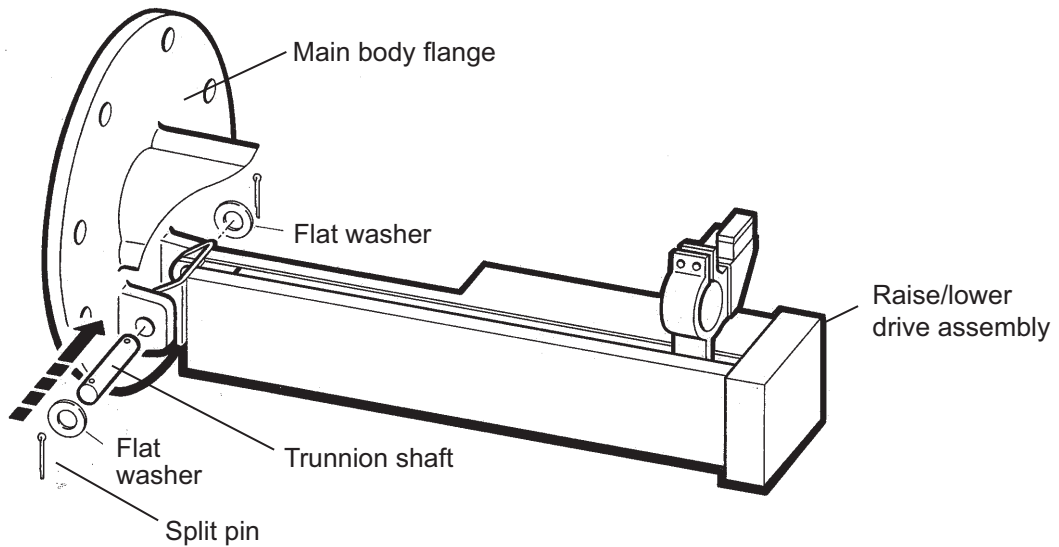
1.1.3 Assembling and installation of hull unit

The hull unit comes unassembled, with the parts shown on pages 1-10 and 1-11. Assemble the unit as shown below.

Necessary Tools

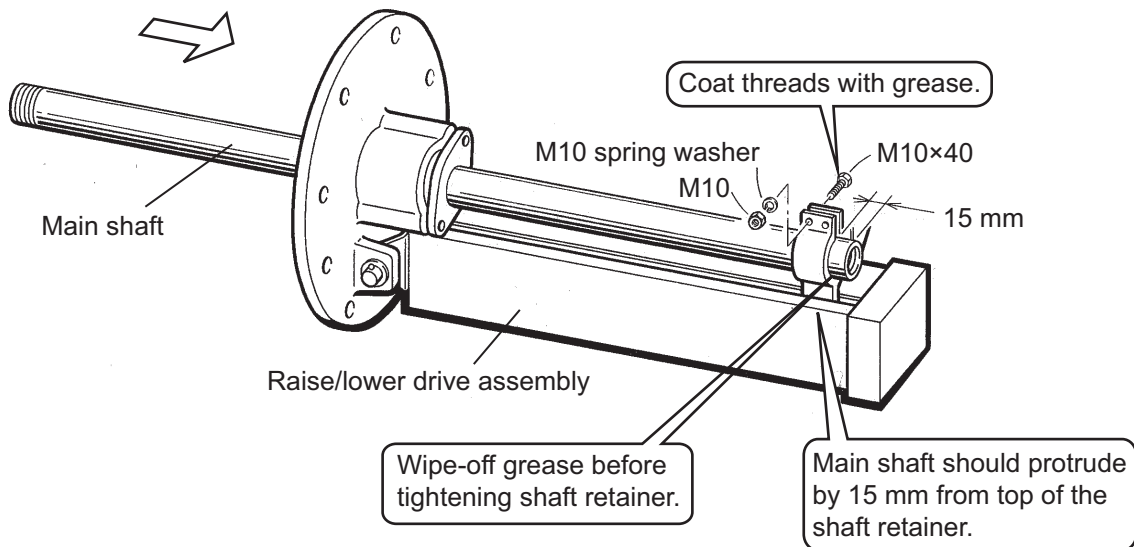
Name	Diameter	Remarks
Wrench	M10 (Hex. size: 17 mm)	Double-ended wrench is recommended.
	M20 (Hex. size: 30 mm)	
Pipe wrench	φ55 mm	Used for fastening cable gland
Socket-set screw wrench	M6 (Hex. size: 3 mm)	Used for fixing main body flange

1. Fasten main body flange to raise/lower drive assembly with the trunnion shaft.



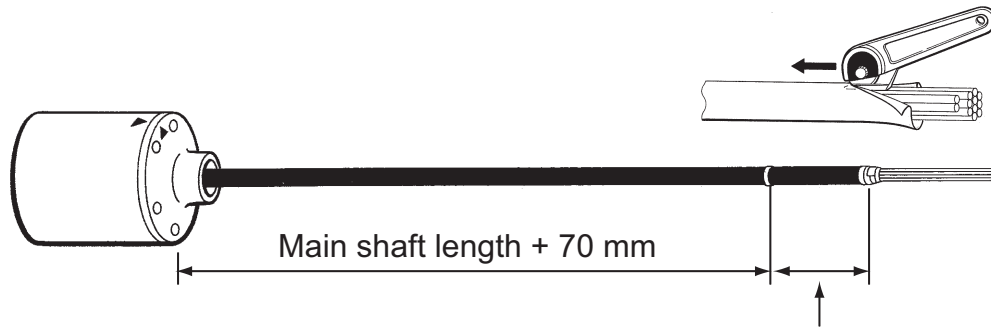
Fastening main body flange to raise/lower drive assembly

2. Apply a slight amount of grease to the top of main shaft. Pass the main shaft through the main body flange and fix it temporarily with the shaft retainer. (The shaft retainer should be secure enough to prevent shaft rotation.)



Installing main shaft

3. Wrap the sheath end with vinyl tape to pass the cable through the main shaft, and then remove sheath of transducer cable at the length of "main shaft length + 70 mm."

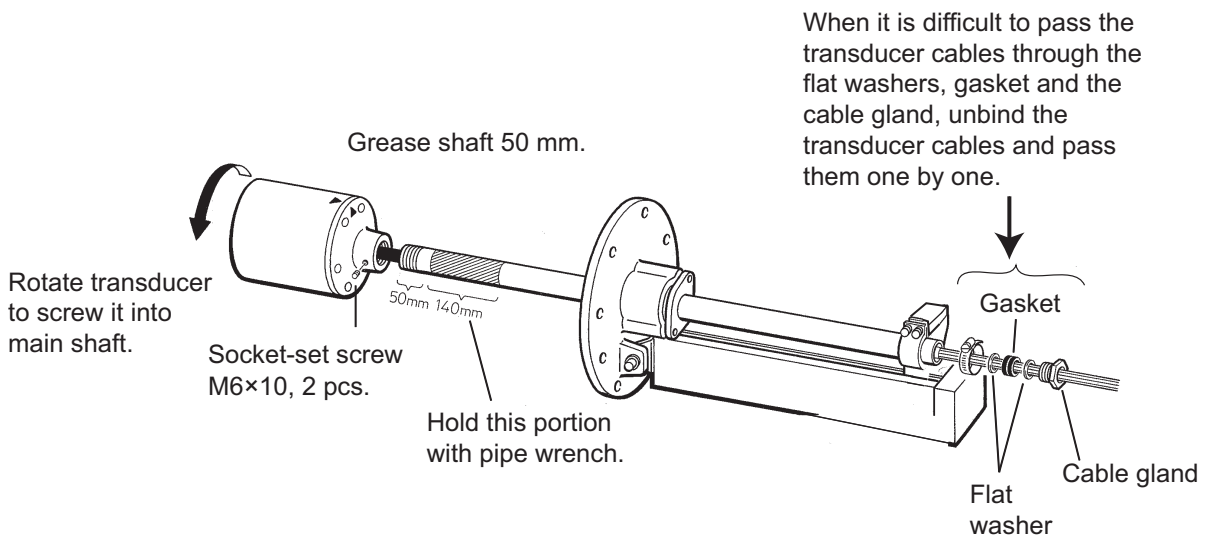


Use suitable roller knife to cut sheath.

Transducer cable

4. After screwing the transducer into main shaft, fasten two socket-set screws (M6×10, supplied) to fasten the main shaft to the transducer.

Note: The transducer should be screwed into the main shaft by 50 mm.

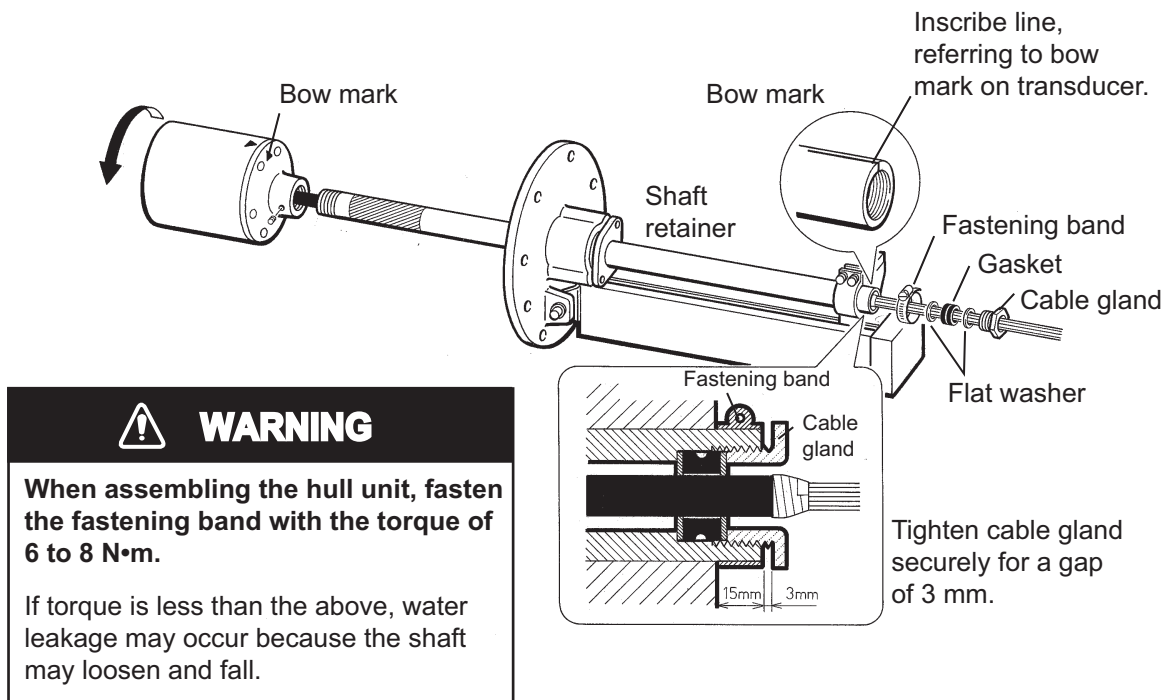


When it is difficult to pass the transducer cables through the flat washers, gasket and the cable gland, unbind the transducer cables and pass them one by one.

Installing transducer

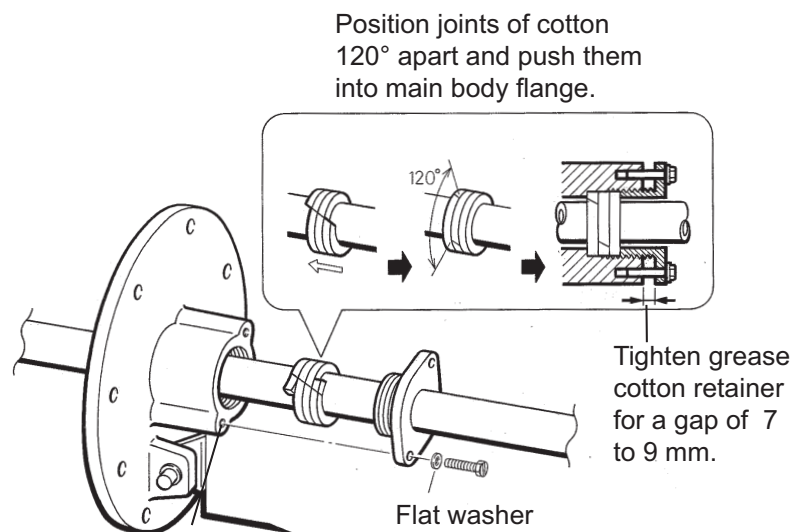
1. MOUNTING

5. Inscribe bow mark on the top part of main shaft. Install fastening band, flat washers, gasket and cable gland as shown below.



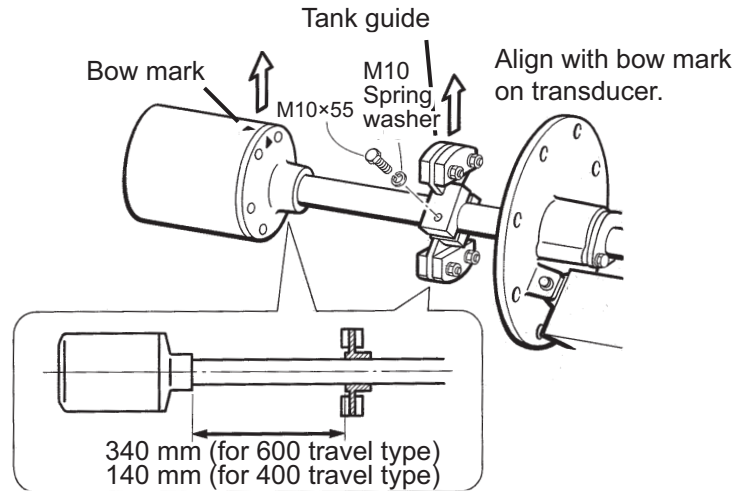
Installing fastening band and cable gland

6. Install grease cotton on the main body as below.
 - a) Install grease cotton on the main body as below.
 - b) Mark on the cotton as below.
 - c) Remove the cotton from the shaft, and then cut it at the position of the mark. Discard the ends.
 - d) Wind the grease cotton as shown below.
 - e) Push the grease cotton into the main body flange.
 - f) Tighten the grease cotton retainer.



Installing grease cotton

7. Install the tank guide as shown below.



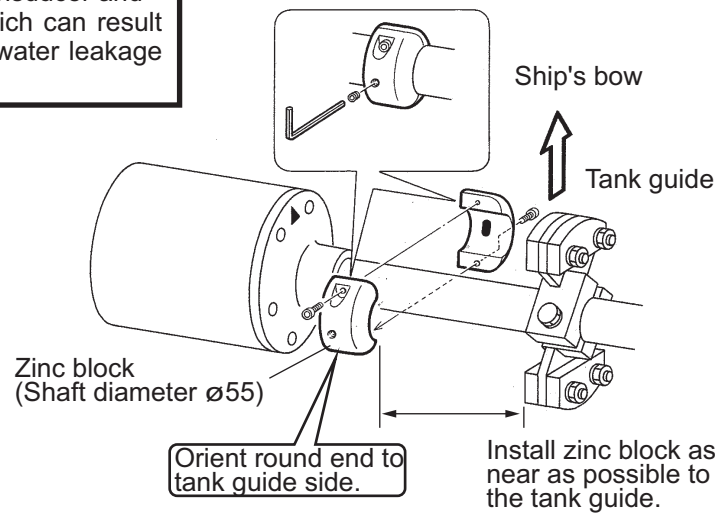
Installing tank guide

8. Attach the zinc block to the main shaft as shown below.

⚠ CAUTION

The zinc block must be replaced yearly.

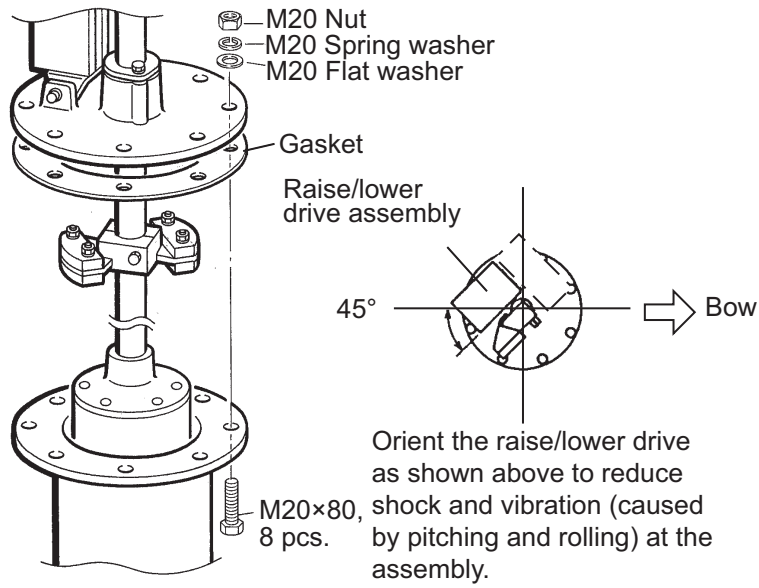
The junction between the transducer and main shaft may corrode, which can result in loss of the transducer or water leakage inside the ship.



Attaching zinc block

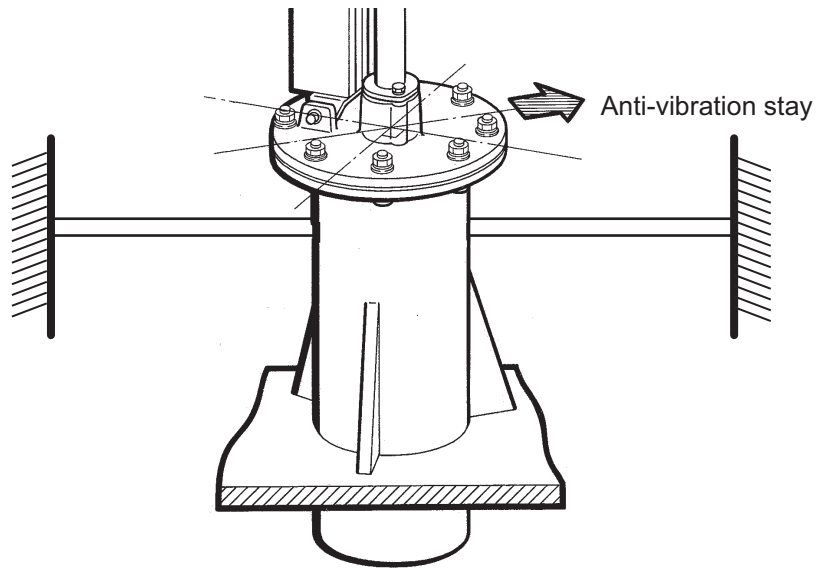
1. MOUNTING

9. Fasten the hull unit to the retraction tank as shown below.



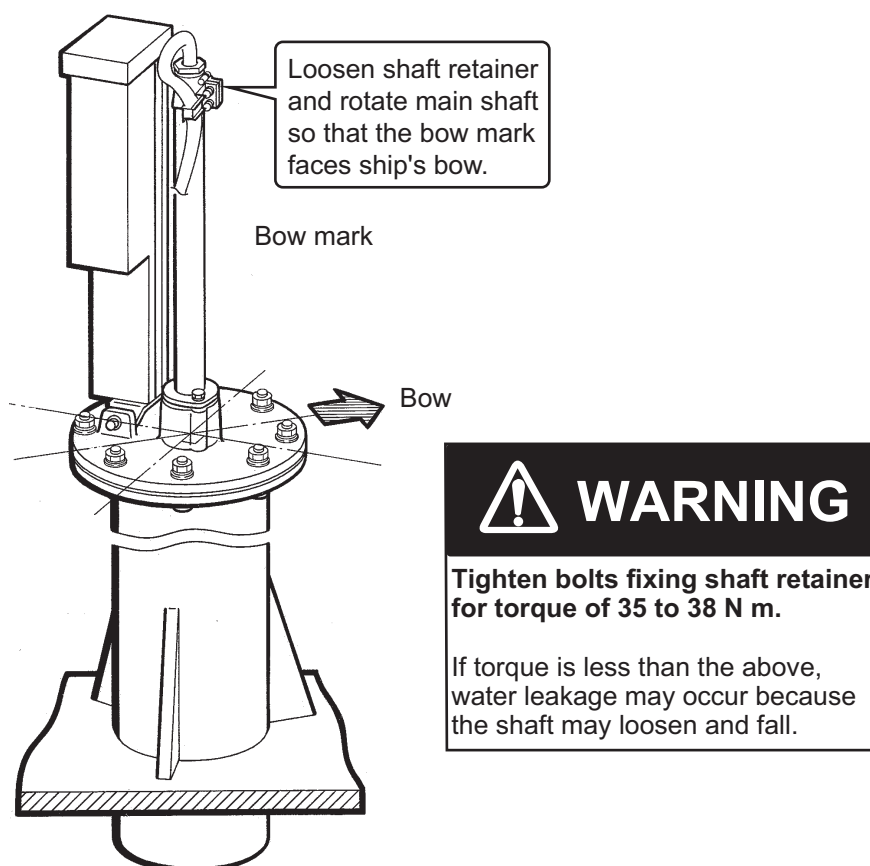
Fastening hull unit to retraction tank

10. Fix anti-vibration stays to the retraction tank.
Anti-vibration stays should be fixed to directions of ship's bow - stern and port - starboard.



Anti-vibration stay

11. Set the main shaft so that the bow mark faces ship's bow, and then tighten the shaft retainer.



Hull unit, orienting bow mark

HULL UNIT KIT

Name	Type	Code No.	Qty	Remarks
Raise / Lower Drive Assembly	—	—	—	Specifications according to order.
Transducer	—	—	—	
Main Shaft	—	—	—	
Retraction Tank	—	—	—	
Main Body Flange Assembly	CSH-5040/41/ 7030/31/8040	006-976-510-00	1	
Waterproof Attachment	10-044-2321	006-970-810-00	1	Only for CSH-5040-A/ 5041-A
Tank Guide	CSH-504*/804*/ 703*	006-979-160-00	1	
Zinc Ring For Main Shaft	CSH-5	000-802-966-00	1	
Hex. Head Screw	M20×80	000-162-826-10	8	
Hexagonal Nut	M20	000-167-476-10	8	
Spring Washer	M20	000-167-401-10	8	
Flat Washer	M20	000-167-452-10	16	
Screw Wrench	AL0500	000-167-051-10	1	
Fastening Band	2X 44-60	000-801-924-00	1	
Cable Fixing Band	HP-18N	000-162-504-10	5	
	HP-5N	000-162-508-10	2	

1. MOUNTING

Name	Type	Code No.	Qty	Remarks
Cable Gland	10-044-2302-1	100-112-601-10	1	
Flat Washer	10-044-2303-2	100-112-612-10	2	
Gasket	10-044-2304-1	100-112-621-10	1	
Connector Puller	10-044-2431-0	100-122-480-10	1	

1.1.4 Confirmation of transducer movement

After you have installed the hull unit, confirm that the transducer moves upward/downward smoothly by using the ratchet wrench.

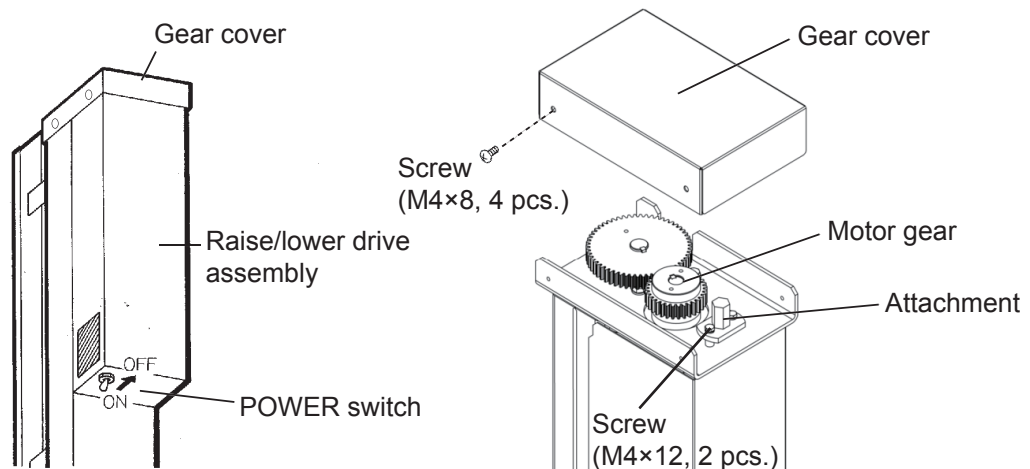
Note: When lowering the transducer, confirm that there is enough space below the ship's bottom.

⚠ CAUTION

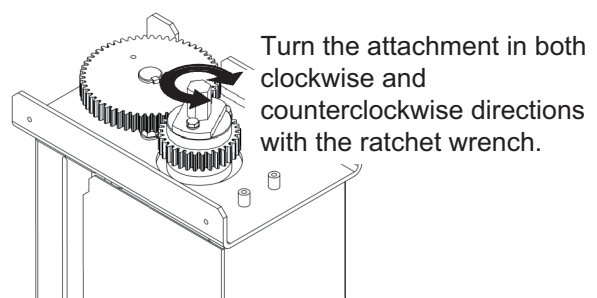
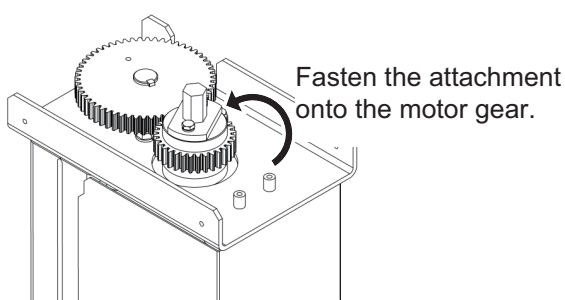
Turn off the POWER switch on the hull unit before manually raising or lowering the transducer (with the ratchet wrench).

Bodily injury can result if the ratchet wrench rotates unexpectedly, because the raise/lower motor may start up.

1. Turn off the POWER switch on the hull unit.
2. Remove four screws (M4×8) to remove the gear cover.



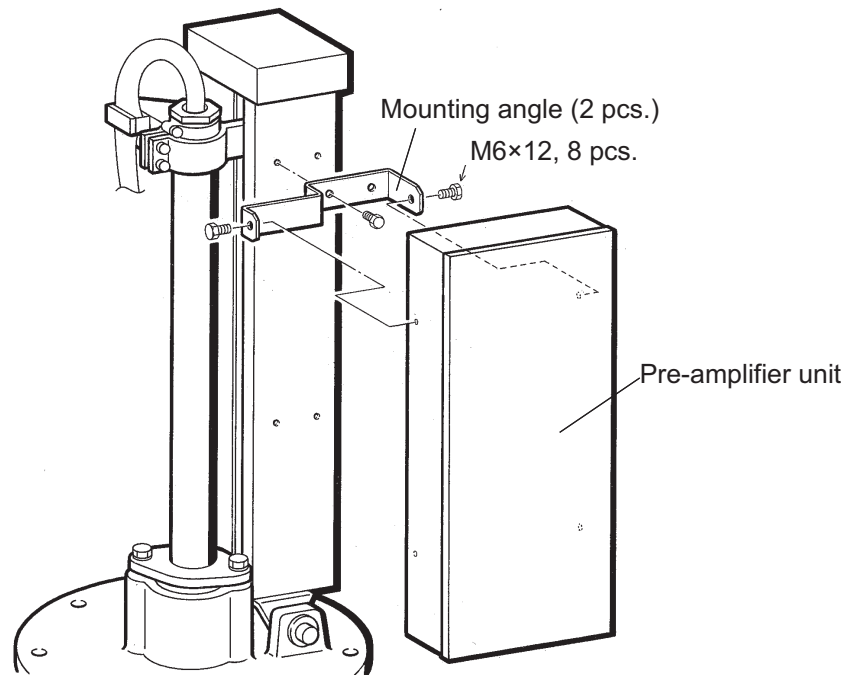
3. Remove two screws (M4×12) to unfasten the attachment.
4. Fasten the attachment onto the motor gear with the screws removed at step 3.
5. Turn the attachment in both clockwise and counterclockwise directions with the ratchet wrench. Confirm that the transducer moves upward/downward smoothly.



1.2 Pre-amplifier Unit

Fix the pre-amplifier unit to the hull unit as follows:

1. Unfasten four hex. bolts (M6×12) to detach the mounting angles (2 pcs.) from the pre-amplifier unit.
2. Fix the mounting angles onto the hull unit with M6×12 hex. bolts. Hex. bolts are supplied with the hull unit.
3. Using the M6×12 bolts removed at step 1, fix the pre-amplifier unit to the mounting angles.

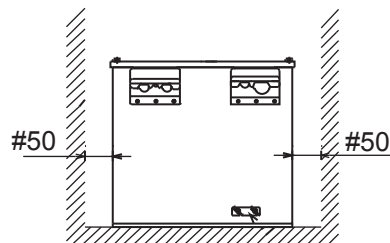
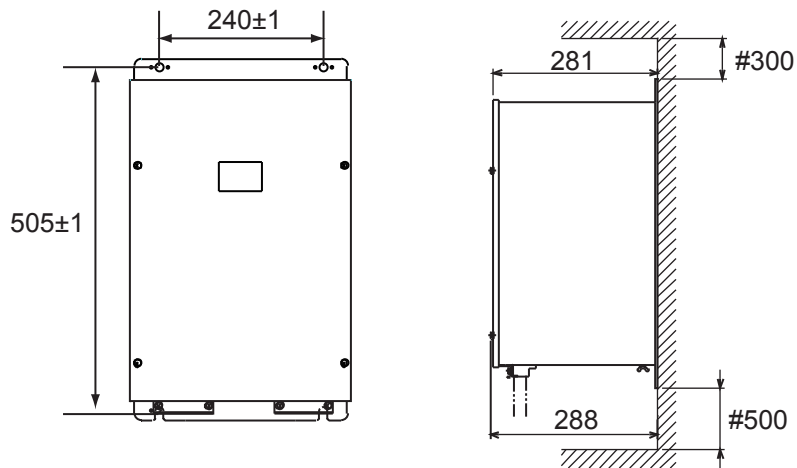


Mounting pre-amplifier unit

1.3 Transceiver Unit

When selecting a mounting location for the transceiver unit, keep the following points in mind.

- Since the transceiver unit generates heat, install it on a dry, well ventilated location.
- The unit weights 20 kg. For that reason reinforce the mounting area if necessary, especially for mounting on a bulkhead.
- Secure the maintenance space shown in drawing at the back of this manual for ease of maintenance and service.
- The maximum cable length between transceiver unit and pre-amplifier unit is 5, 10 or 15 m.



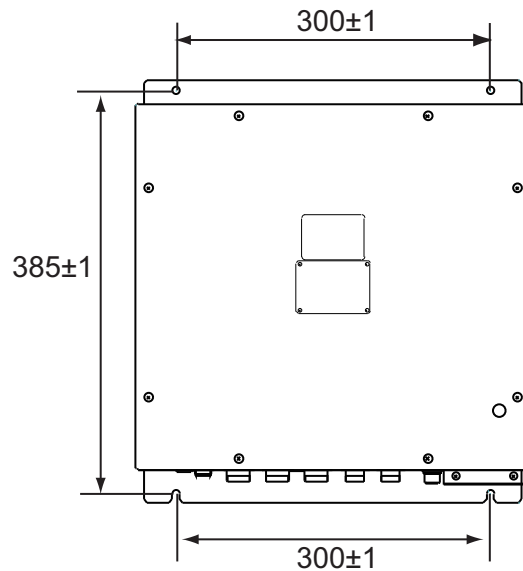
= Maintenance space
All dimension in millimeters

Transceiver unit, mounting dimensions

1.4 Processor Unit

Use four bolts or tapping screws (M6, local supplied) to install the processor unit. Consider the length of cables shown below when choosing a mounting location.

- Between processor and display units: Max. 10 m
- Between processor and transceiver units: Max. 50 m



Processor unit

1.5 Control Unit

The control unit may be permanently mounted on a desktop, with or without the KB fixing plate (supplied as accessories), which tilts the control unit at 10° degree. Also, the rubber feet can be used when the unit is not permanently fixed.

1.5.1 Non-permanent mounting

Attach four rubber feet (supplied) at the bottom of the control unit, and then place the unit on the selected location.

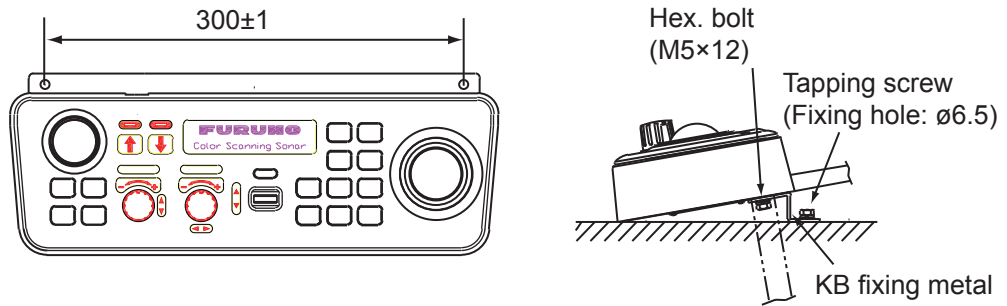
1.5.2 Permanent mounting

The control cable can be passed from the hole at the bottom of the control unit.

Installation with the KB fixing plate

1. Fix the KB fixing plate (supplied as accessories) to the bottom of the control unit with two hex. bolts (supplied).
2. If necessary, make a hole of diameter 30 mm through the desktop to pass the control cable from the bottom of the control unit.
3. Fasten the KB fixing plate with two tapping screws ($\phi 6.5$, local supply).

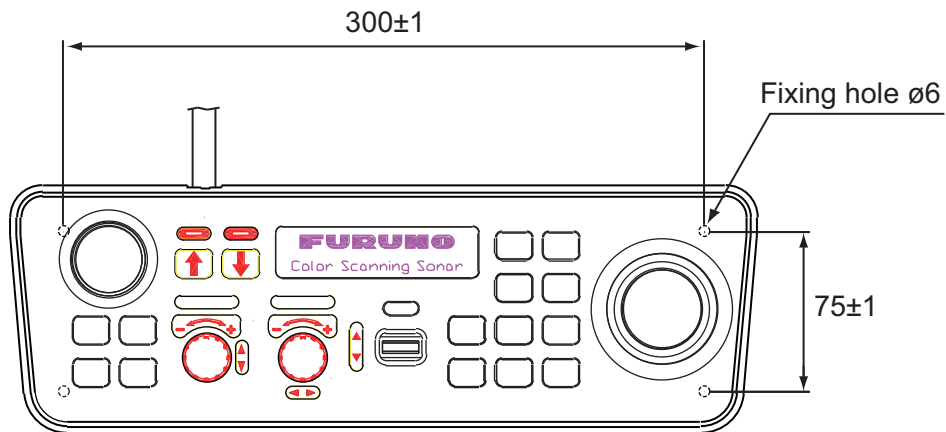
1. MOUNTING



How to attach KB fixing plate

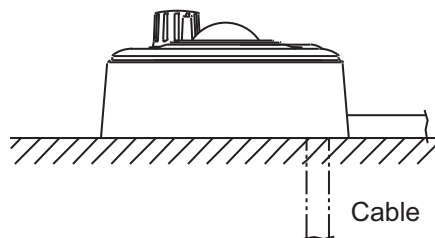
Installation without KB fixing plate

1. Make four holes of 6 mm in diameter referring to the figure below.



Control unit, dimensions for directly mounting

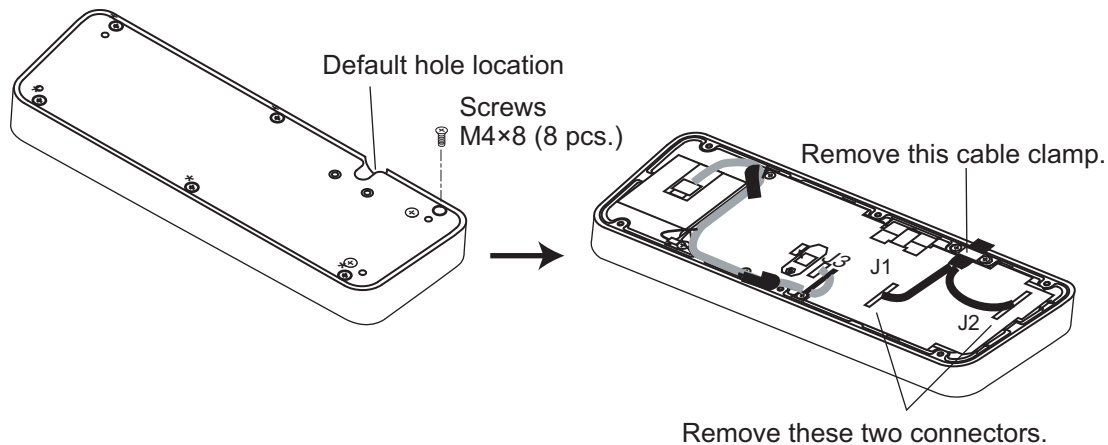
2. Make an indentation in the desktop to accommodate the nameplate (approx. 2 mm thickness) at the bottom of the control unit.
3. If necessary, make a hole of 30 mm in diameter in the desktop to pass the control cable from the bottom of the control unit. To run the cable from the bottom of the control unit, see the next page.
4. Screw in four hex. bolts (M5×12, supplied as accessories) from the under side of the table to fix the control unit.
When the supplied bolts are not long enough, use the locally supplied bolts, with their length the thickness of the desktop plus 5 to 8 mm.



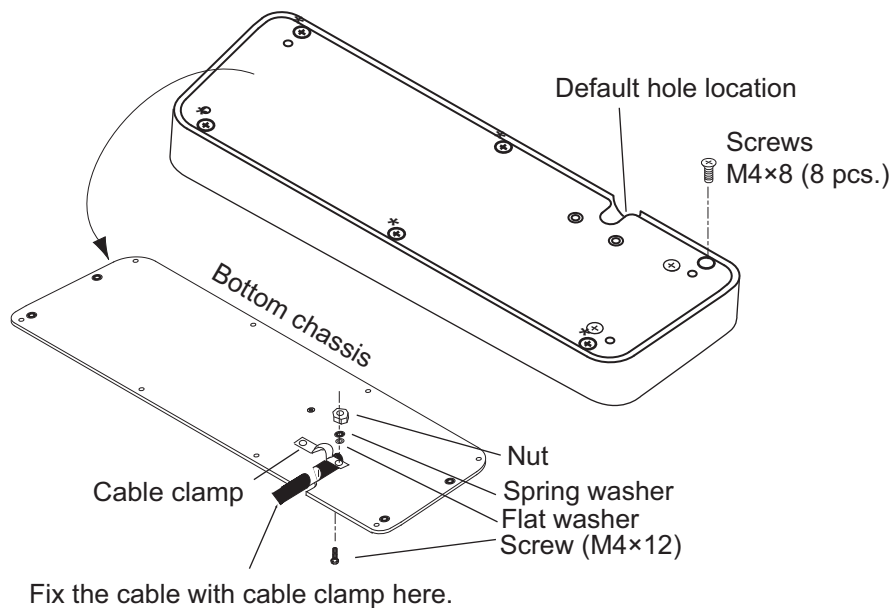
Mounting control unit directly

Changing the cable entrance location

1. Unfasten six screws (M4×8) at the bottom of the control unit.
2. Unfasten two screws (M4×10) fixing the cable clamp.
Discard these screws.
3. Unplug connectors from J1 and J2 on the KEY Board 10P6951.

*Control unit*

4. Attach the cable clamp removed at step 2 and 3 with two screws, spring washers, flat washers and nuts (supplied with accessories) to fix the control cable as shown in the illustration below.

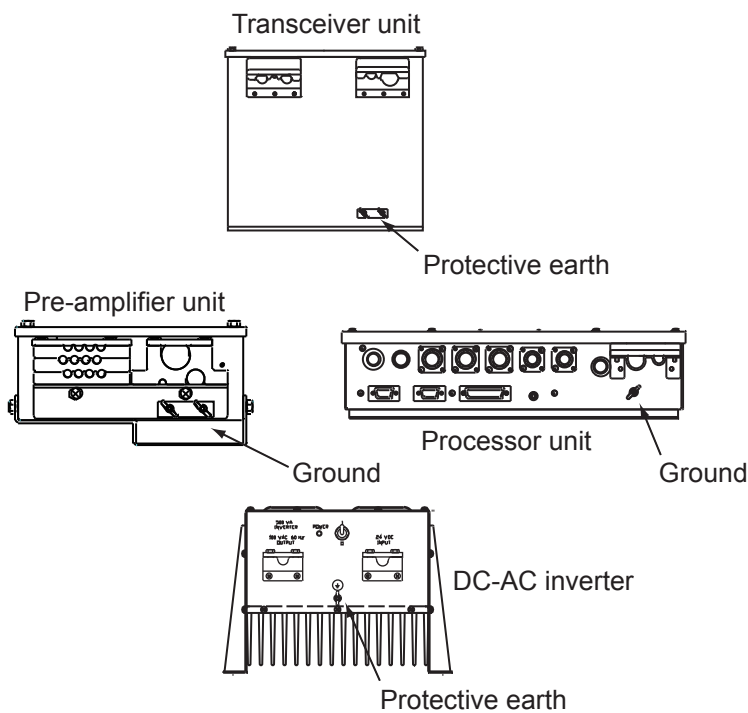
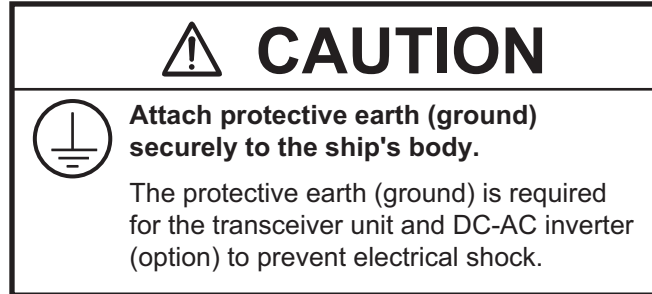
*Changing the cable location*

5. Reattach connectors J1 and J2 removed at step 3.
6. Fasten six screws to assemble the control unit.

1.6 Ground

All units (excluding the control unit) should be grounded to ship's hull, with copper strap or earth wire depending on the unit.

Note: If the ground is not proper, operation error or noise-filled video may result.



Locations of earth

1.7 Motion Sensor (option)

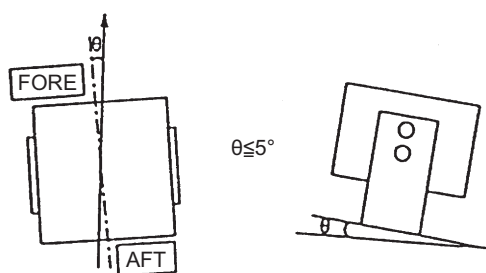
The motion sensor measures ship's pitching and rolling angles with a sensor, using the principles of the gyroscope. Because it is free from error caused by ship's vertical and horizontal motion, it can be installed at any convenient location. However, ship's semi-permanent inclination due to loading imbalance cannot be detected. Compensate for this as described in Chapter 3.

1.7.1 Mounting consideration

- Vibration in the mounting area should be minimal.
- Locate the unit away from areas subject to water splash.
- The ambient temperature should not exceed 50°C.

1.7.2 Mounting procedure

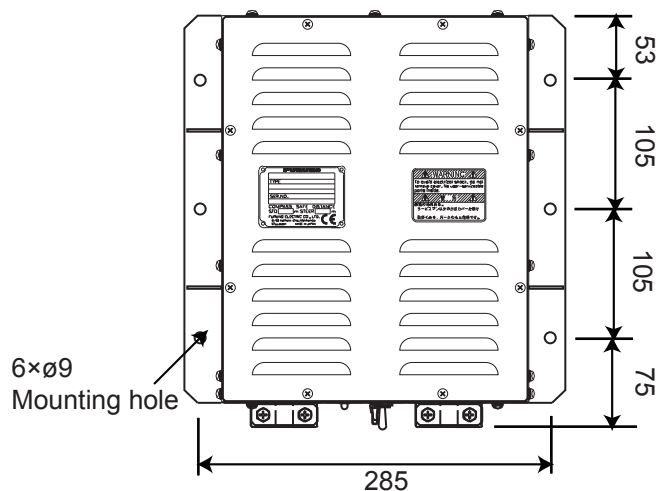
Orient the FORE mark on the unit toward the ship's bow and mount the unit within 5° of horizontal in all directions. For the offset, see Chapter 3.



Mounting of motion sensor

1.8 DC-AC Inverter (option)

The optional DC-AC inverter is required when the ship's mains is 24 VDC, The DC-AC inverter should be mounted on a bulkhead (weight of unit: 15 kg). Install the unit so that the cable entrances are facing downward. Note that providing sufficient ventilation.



DC-AC inverter

1. MOUNTING

This page is intentionally left blank.

2. WIRING

2.1 General Description for Cabling

2.1.1 Processor cable between processor and transceiver units

The processor cable is 15 m, 30 m or 50 m long as specified when ordering. A connector has been fitted for the transceiver unit end. The processor unit end of the cable should be fabricated at installation, after cutting it to an appropriate length.

2.1.2 TX cable between transceiver and pre-amplifier units

TX cable (19 pair cable)

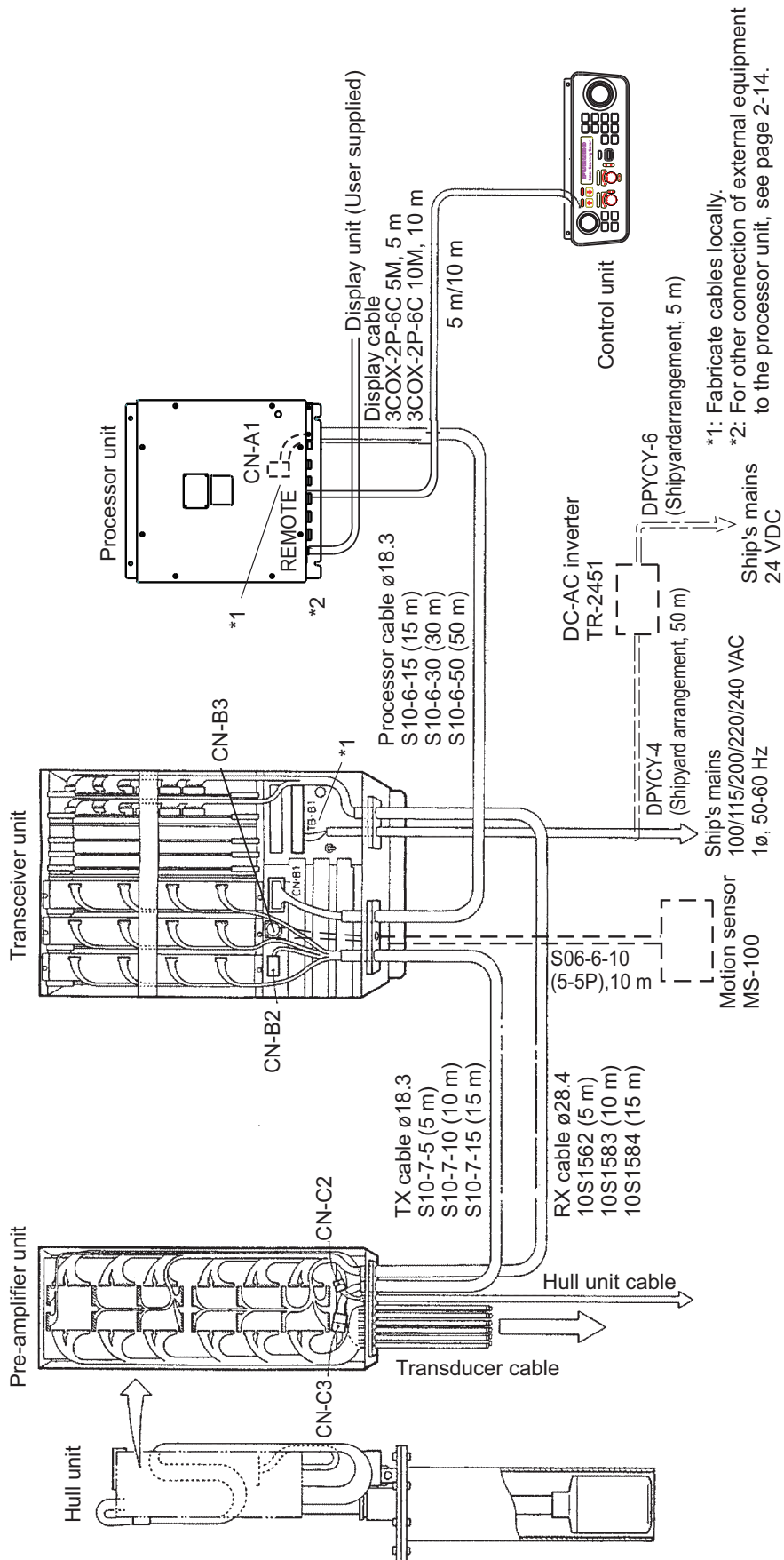
The length of the TX cable is 5 m, 10 m or 15 m long cable is available. Both ends of the cable are fabricated at the factory. However, the connector housing is not attached to the pre-amplifier unit end, so that the cable can easily be run through conduit pipe if necessary. Insert contact pins of the TX cable to the connector housing at installation referring to the interconnection diagram. Note that the cover plate should not be fitted to the connector of the pre-amplifier unit side.

RX cable (RX168 core cable assy)

The RX cable is available in length of 5 m, 10 m or 15 m. The cable is fitted with connectors at both ends so fabrication in the field is not required.

2.1.3 Hull cable between hull and pre-amplifier units

The hull cable is pre-connected to the hull unit. The other end is fitted with connector.

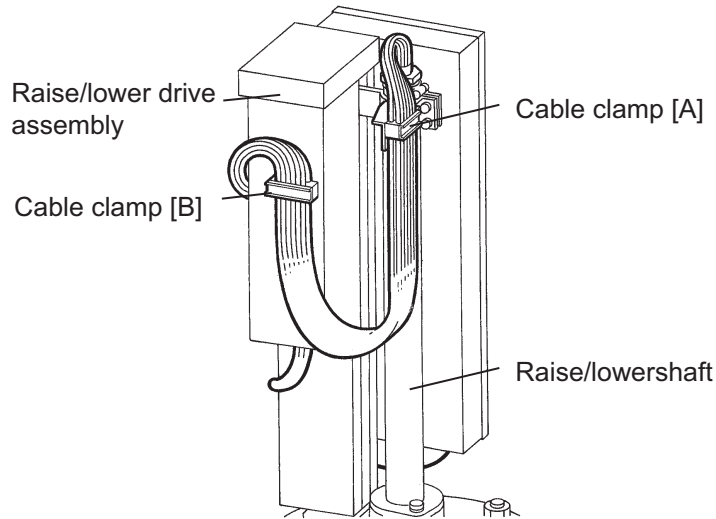


2.2 Hull unit/Pre-amplifier Unit

2.2.1 Running transducer cable

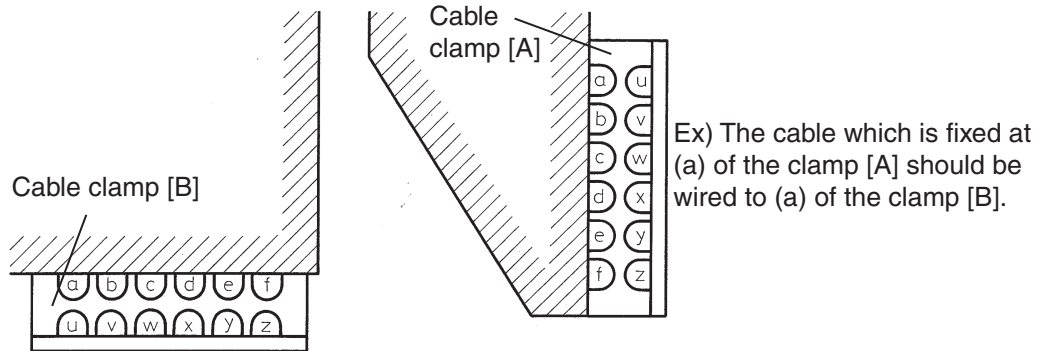
Excessive stress should not be placed on the transducer cables (12 pcs.) during raise/lower operation. Follow the procedure below to run the cables.

1. Fix the 12 transducer cables with the cable clamp [A].



Cable clamp (1)

2. Temporarily fix cable clamp [B]. Note the positions of cable in clamps [A] and [B] as shown below.



Cable clamp (2)

3. Adjust the cable length between the cable clamps [A] and [B] as follows.

	600 mm Travel type	400 mm Travel type
Length of cable between [A] (a) and [B] (a)	660 mm	580 mm
Length of cable between [A] (u) and [B] (u)	690 mm	610 mm

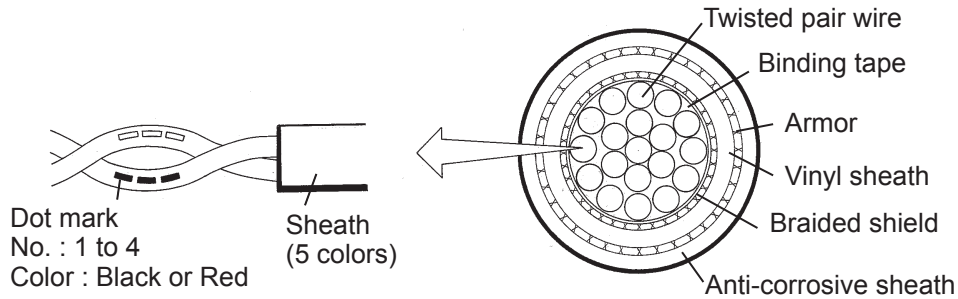
4. Adjust slack of the other ten cables so that it becomes the same as the ones adjusted at step 3. Tighten the cable clamps [A] and [B].

2. WIRING

2.2.2 Fabricating TX cable (from transceiver unit)

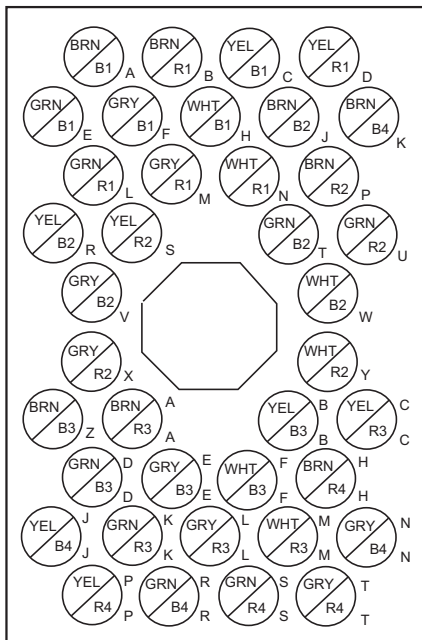
Each wire of the TX cable is pre-fitted with a contact pin. Insert it into the connector housing.

Cable construction

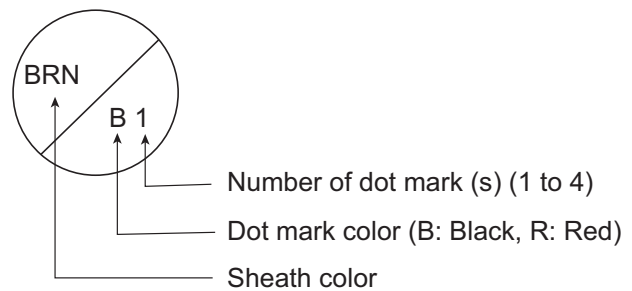


TX cable, sectional view

Connector pin No. – wire color



Note: 1. Wire differentiation



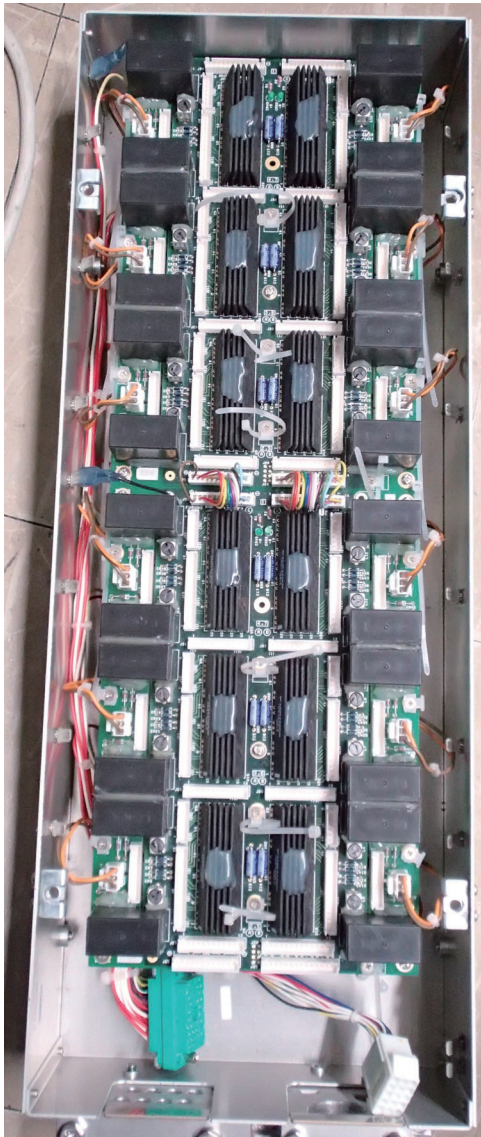
2. BRN and GRN show the following colors.
BRN: Light brown
GRN: Light green

3. Cover plate is not fitted to the connector.

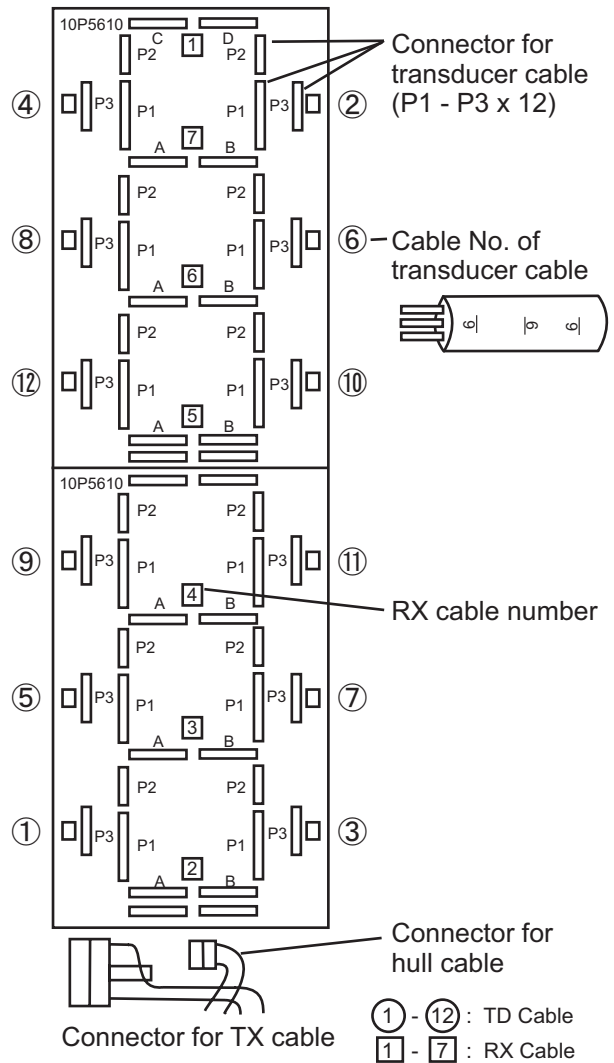
Connector pins

2.2.3 Pre-amplifier unit wiring

For wiring in the pre-amplifier unit, refer to the instruction sheet provided at the back of its front panel.



Pre-amplifier unit, front view



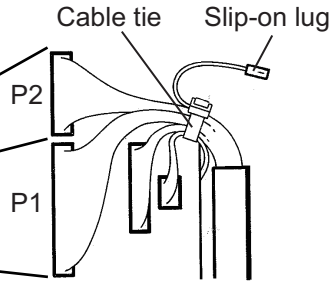
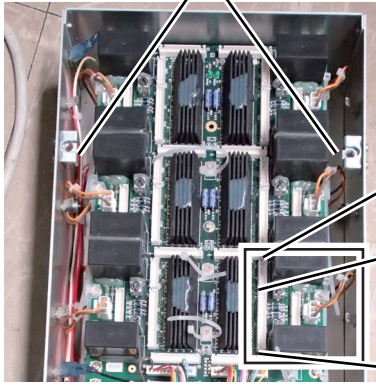
Wiring of pre-amplifier unit

1. Plug in the 38P connector of the TX cable (19 pair cable).
2. Pass the transducer cable under the board.
Connect the transducer cables in the following order and bind the wires with cable ties.
At this stage, do not connect the slip-on lugs to the cables on the right side (2, 6, 10, 11, 7 and 3).
Below is the order to connect cables:

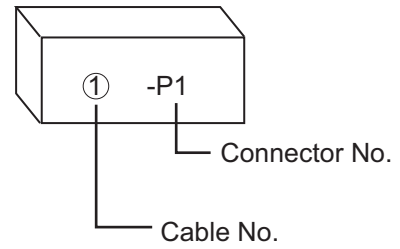
(upper) ② → ⑥ → ⑧ → ④ (mid) ⑩ → ⑪ → ⑨ → ⑫
 (lower) ⑦ → ③ → ⑤ → ①

2. WIRING

Run cables through this space.

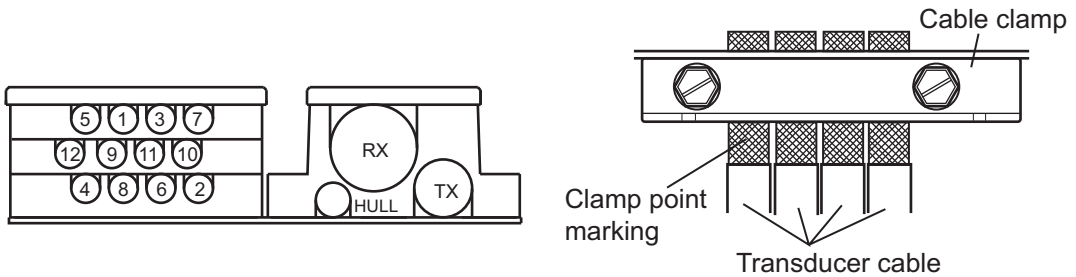


Note: Cable and connection numbers are marked on the side of each connector as shown below.



Transducer cable connection

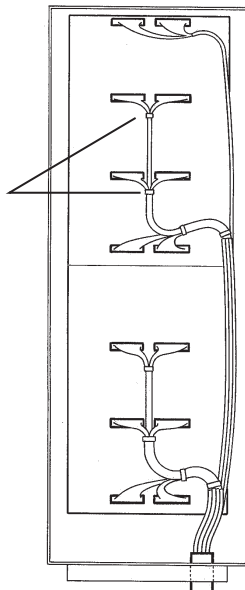
3. Pass the transducer cable (12 cores) and TX cable through the cable clamp. Note that the transducer cables should be arranged as shown below and clamped at the point of marking.



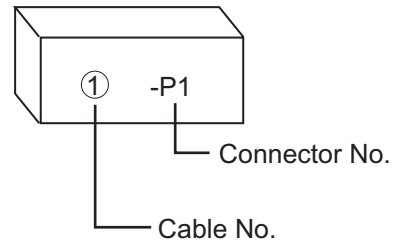
Preamplifier unit, cable clamp

4. Pass the hull and RX (168 cores) cables through the cable clamp, and tighten the cable clamp.
5. Run the RX cable as shown below and plug in the connectors. Pass the RX cable under the board.

Fix the wires to the board with cable ties.



Note: Cable and connector numbers are marked on the side of each connector as shown below.

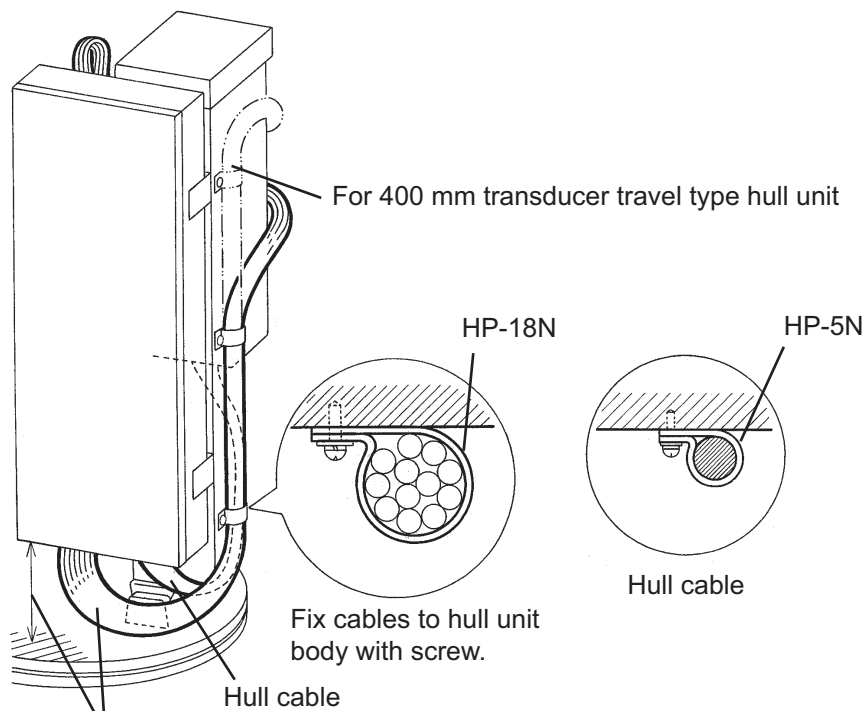


RX cable connection

6. Plug in the slip-on lugs of transducer cables ② to ③.

2.2.4 Fixing transducer and hull cables

Fix the transducer and hull cables to the hull unit body with cable clamps.

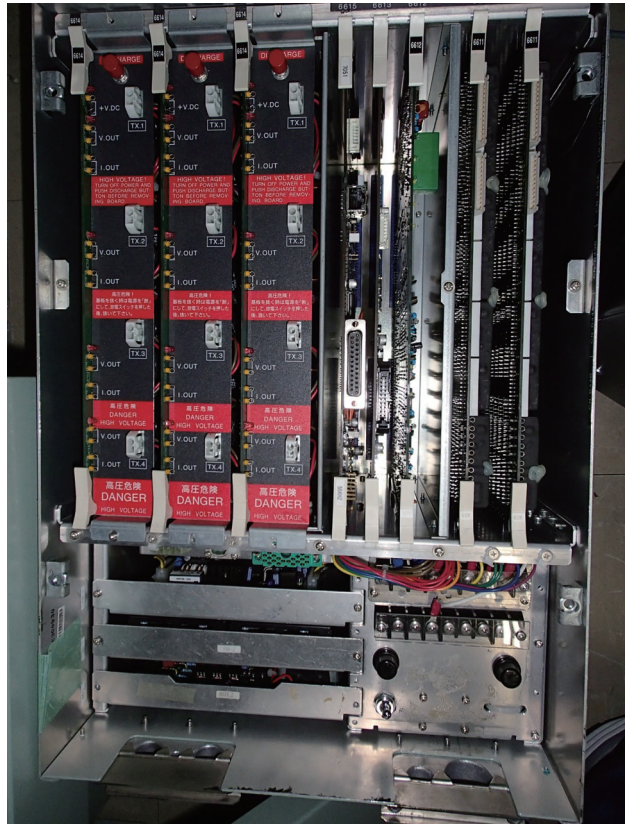
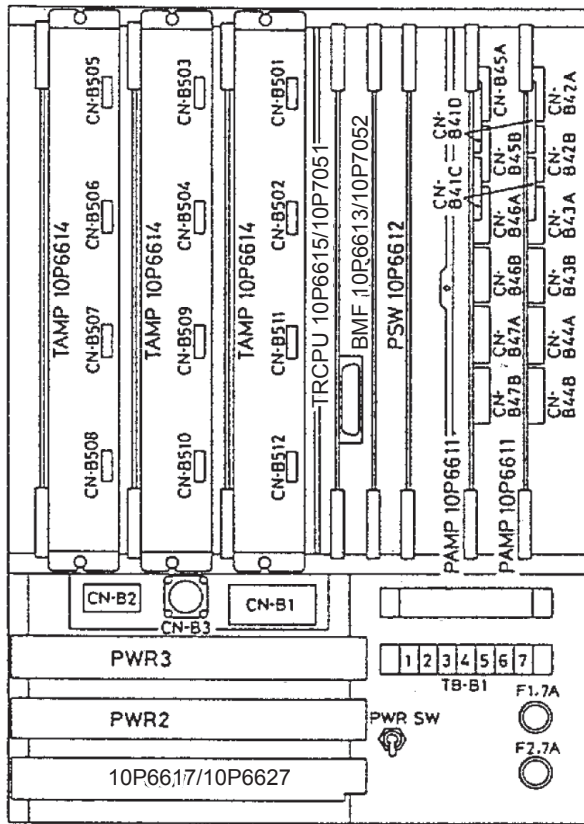


For 400 mm transducer travel type hull unit,
make sure that the cable does not touch the flange.

Fixing the hull cable

2.3 Transceiver Unit

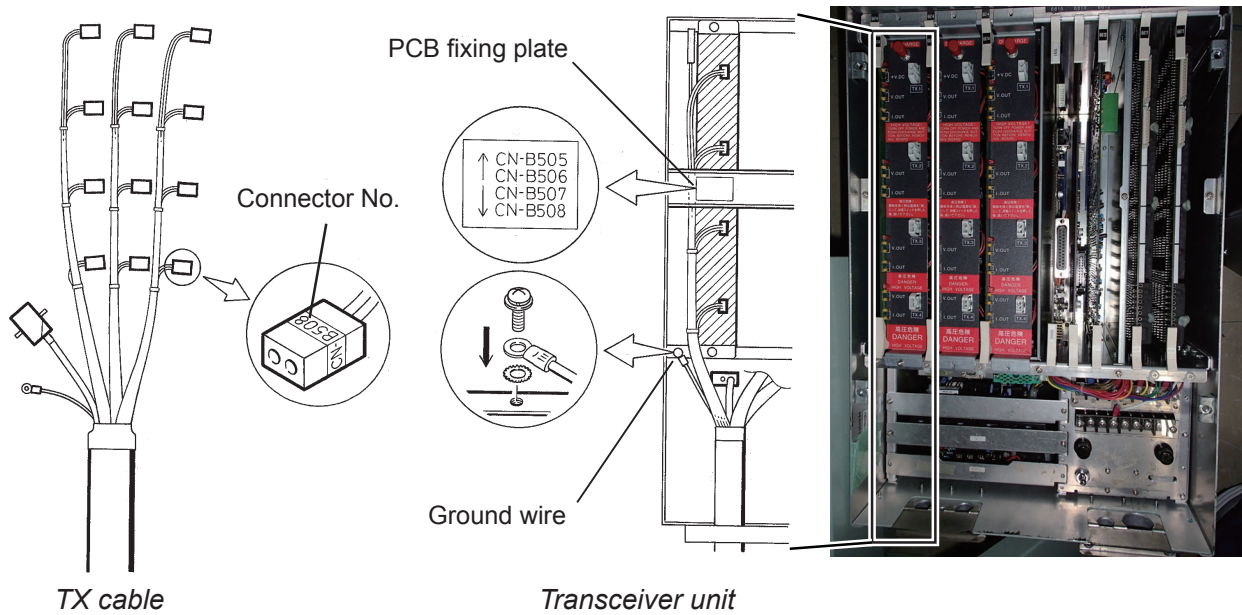
All cables, except for the power cable, connected to the transceiver unit are fitted with connectors and lugs.



Connector and terminal board location in transceiver unit

2.3.1 Connecting TX cable

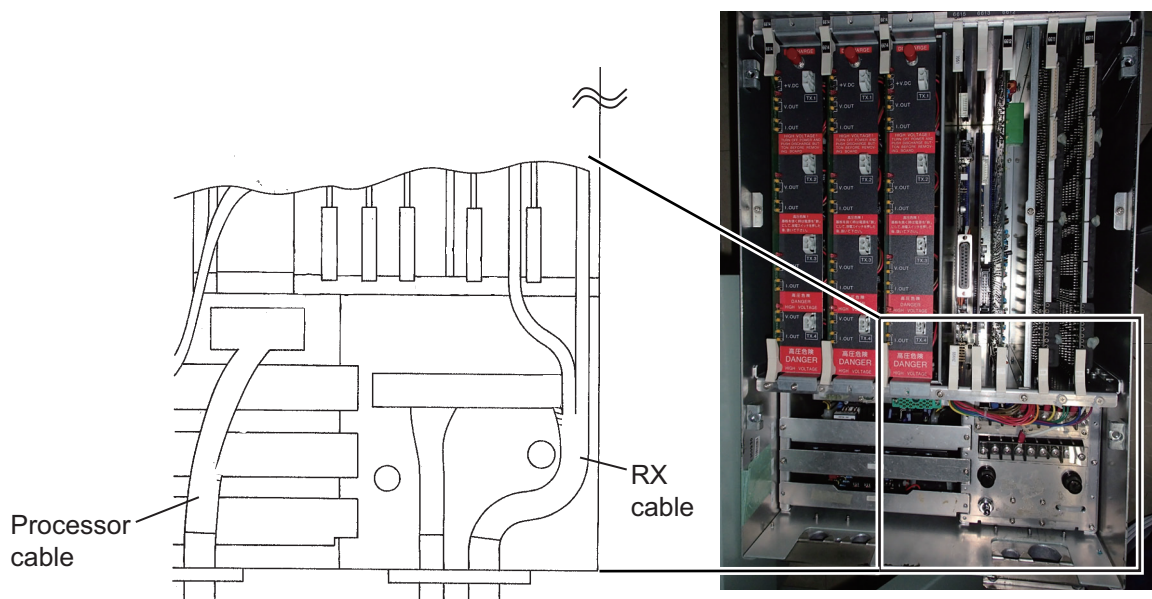
The connector numbers are marked on respective 2P plugs (12 pcs.) of the TX cable. Connect them to the transceiver unit, referring to the sticker on the PCB fixing plate. The ground wire should be connected to the chassis as shown below.



2.3.2 Connecting RX cable

The connector numbers are marked on respective plugs. Connect them referring to the instruction at the back of the front panel of the transceiver unit.

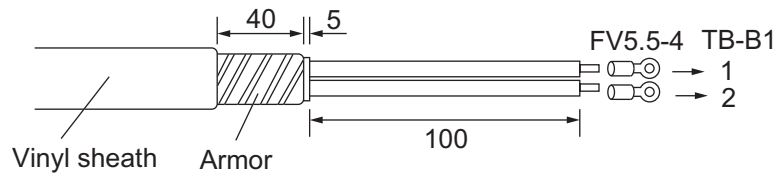
Note: CN-B41C/CN-B41D are provided on the both PAMP Boards and you may use either side.



Connecting of Processor and RX cables

2.3.3 Connecting power cable

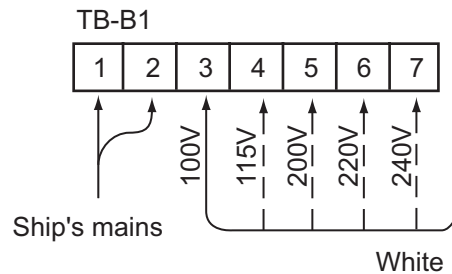
Fabricate the power cable DPYCY-4 (Japan Industrial Standard (JIS)) or equivalent (local supply.)



Fabricating of power cable

Note: Change connection of white wire at the TB-B1 according to ship's mains. And then, replace the fuse appropriately. On the stickers at the terminal board and back of the front lid of the transceiver unit, change the mark position for the used fuse.

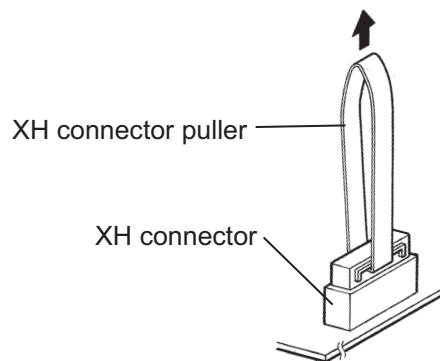
Ship's mains	Fuse
100/110/115 VAC	7 A 125 V
200/220/240 VAC	4 A 250 V



Connections at TB-B1

2.3.4 How to unplug the XH connector

If making a wrong connection of XH connector, use the XH connector puller to unplug the XH connector.



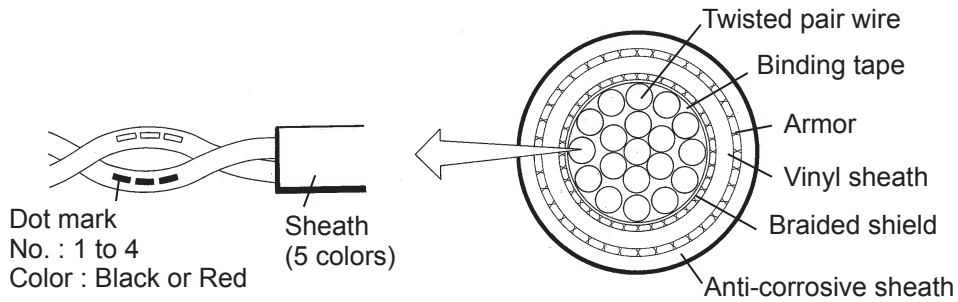
XH connector puller

2.4 Processor Unit

2.4.1 Cable fabrication

Cable construction

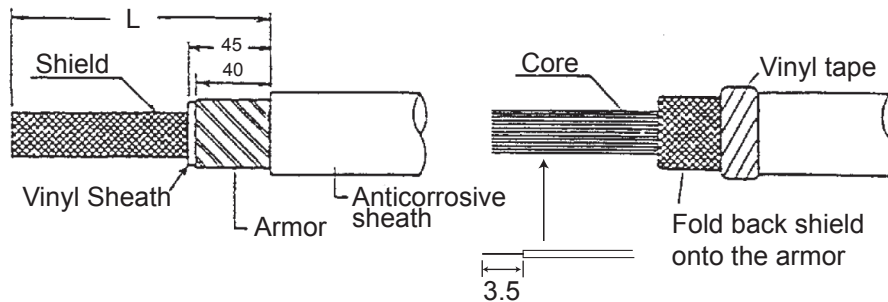
The processor unit end of the processor cable (interconnection cable between processor and transceiver units) is not fabricated at the factory. Attach the 38P connector locally. This cable is attached to CN-A1 on the MAIN Board.



Processor cable, sectional view

Cable fabrication

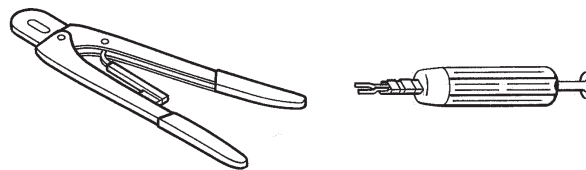
Remove the anticorrosive sheath, armor and vinyl sheath as shown below.



Fabrication of processor cable

Connecting contact pins

A special crimping tool is necessary for connection of wires to the contact pins of 38P connector. In addition, a pin extractor should be used to remove the contact pin from the connector housing. The following describes how to crimp and extract the contact pin.



Crimping tool

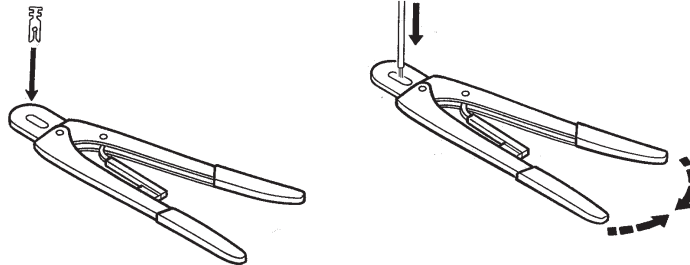
Pin extractor

Tools for crimping, extracting contact pins

2. WIRING

Wire crimping procedure

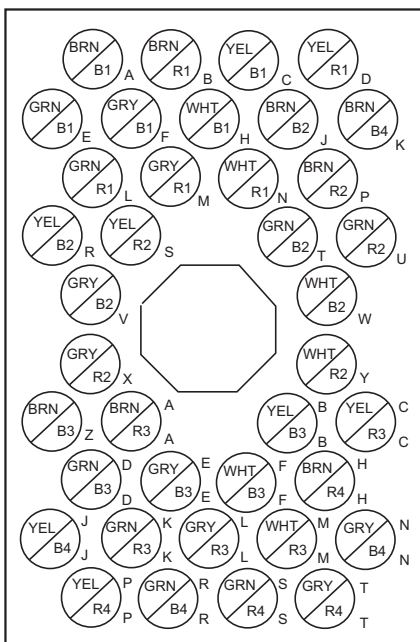
1. Strip the vinyl sheath of the wire to expose the core by 3.5 mm.
2. Hold the crimping tool horizontally and insert the contact pin, with its slit faced downward, into the crimp hole of the crimping tool.
3. From the same side, place the wire onto the contact pin and squeeze the handle until the ratchet is released. Pull the wire to make sure that it is securely crimped.



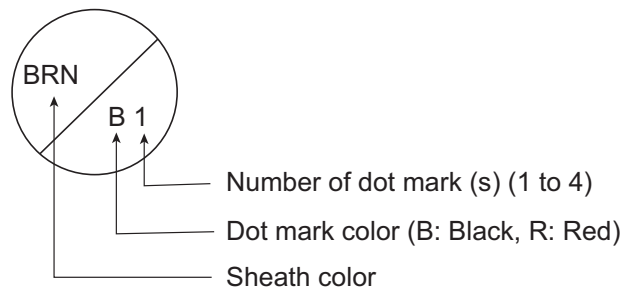
How to use the crimping tool

Inserting contact pin into connector housing

The wires fitted with contact pins should be inserted into the connector housing referring to the drawing below or the interconnection diagram at the back of this manual.



Note: 1. Wire differentiation



2. BRN and GRN show the following colors.
BRN: Light brown
GRN: Light green

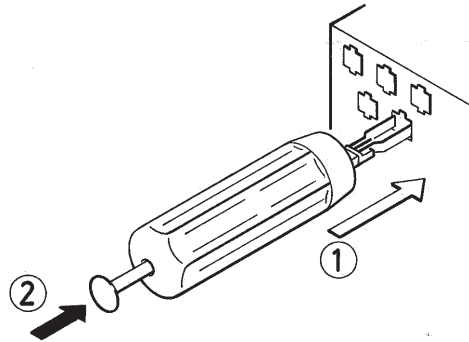
3. Cover plate is not fitted to the connector.

Inserting pins contact

Procedure to extract contact pin

When a contact pin has been inserted into an incorrect hole on the connector housing, remove it by using the pin extractor.

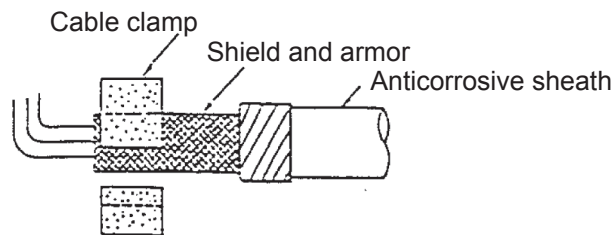
1. Push the pin extractor into the pin hole from the side opposite to the pin inserting side.
2. Firmly push in the head of the pin extractor. The retaining spring will come free and contact pin can be removed.



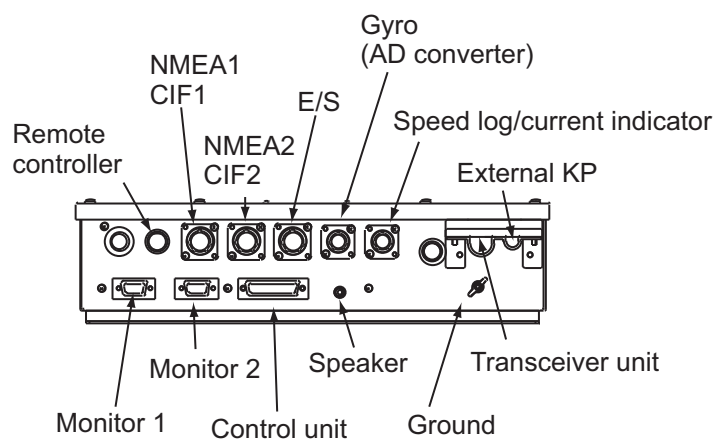
Pin extractor

Clamping cable

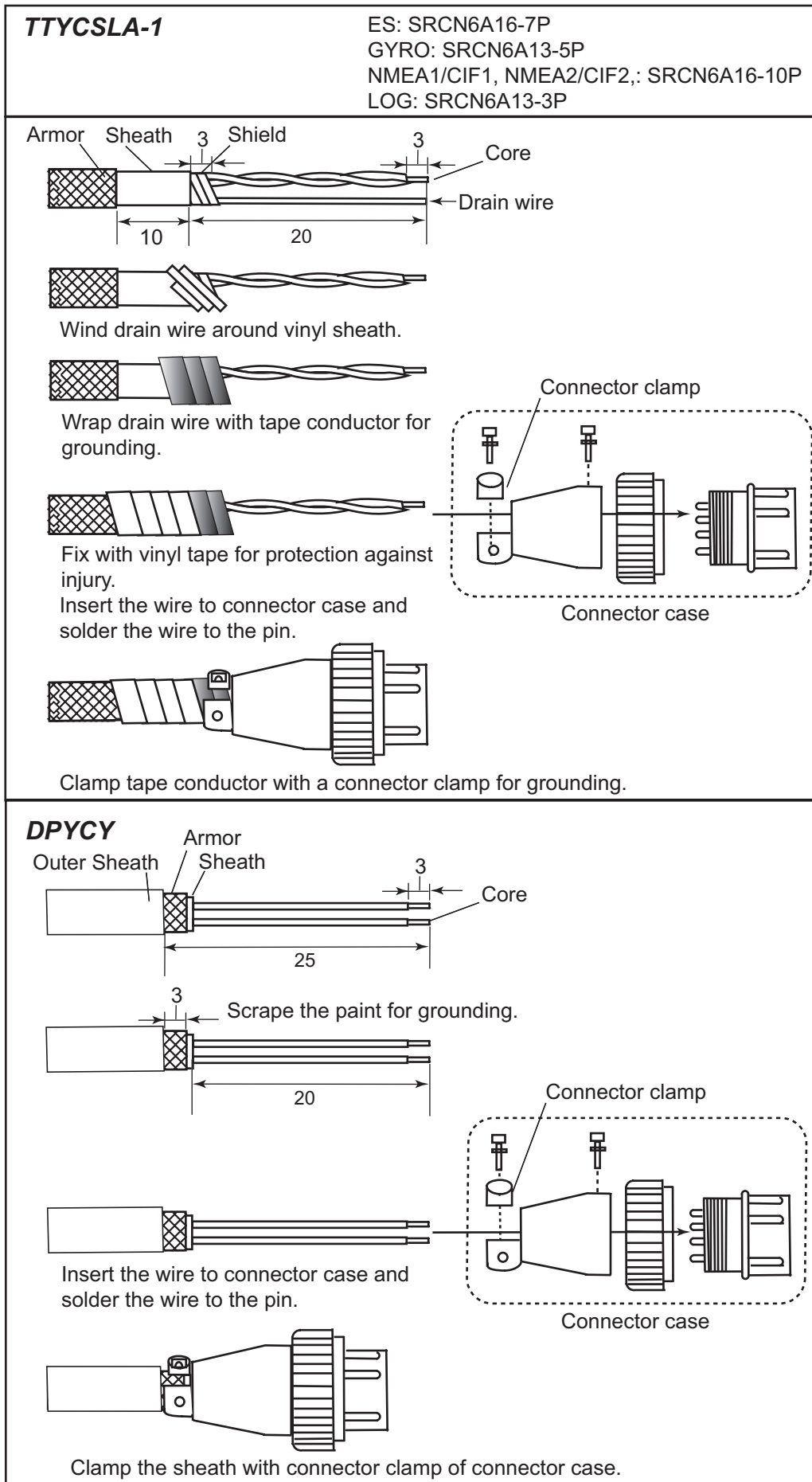
Secure the cable with cable clamp at the shield and armor.



Clamping cable

2.4.2 Other connections

Connection of processor unit



Fabricating other cables

Display unit

Prepare XGA monitor locally. When using MU-150HD as the display unit, see its operator's manual. Connect the processor unit and display with the monitor cable 3COX-2P-6C 5 m or 10 m (supplied). Use the MONITOR 1 port for a display unit.

NMEA input sentences

Talker	Sentence	Information
*1	GAA	GPS position data, Ver. 2.0
*1	GLL	Own ship position, Ver. 2.0
**	GTD	Own ship position (TD, LOP)
LC	GLC	TD (Lpran-C)
**	HDG	Heading (compass)
**	HDM	Heading (magnetic bearing)
**	HDT	Heading (true)
*2	VTG	Course over ground speed
VD	VHW	Water speed, heading
LC	RMA	Recommended minimum specific Loran-C data
*3	RMC	Recommended minimum specific GPS data
**	DBT	Depth below transducer, Ver. 1.5
**	DBS	Depth below sea level
**	DPT	Depth below transducer plus offset value, Ver. 2.0
**	MTW	Water temperature
VD	VDR	Water current, single layer
VD	CUR	Water current, multi-layers

*1: GPS navaid, Loran-C, II (other talker), TR

*2: GPS navaid, Loran-C, II (other talker), TR, VD

*3: GPS navaid, II (other talker), TR

** : Not specified

NMEA output sentence

Talker	Sentence	Information
SS	TTL	Target position (L/L)

CIF input sentences

Data No.	Information
21	DR position
24	Loran-C position
28	GPS position
54	Loran-C, TD
4:	Heading (true)
41	DR ship's speed and course
44	Loran-C ship's speed and course
48	GPS ship's speed and course
57	Depth of sea bottom
58	Water temperature
66	Current indicator ship's speed and course
56	Water current, single layer
76	Water current, multi- layers

CIF output sentence

Data No.	Information
5:	Target position (L/L)

Gyrocompass

Heading data from a gyrocompass can be input via A-D converter AD-100. For details, see the operator's manual for AD-100.

Echo sounder

Echo sounder video can be input using the echo sounder interface VI-1100A. For details, see the installation manual for VI-1100A.

Speed log

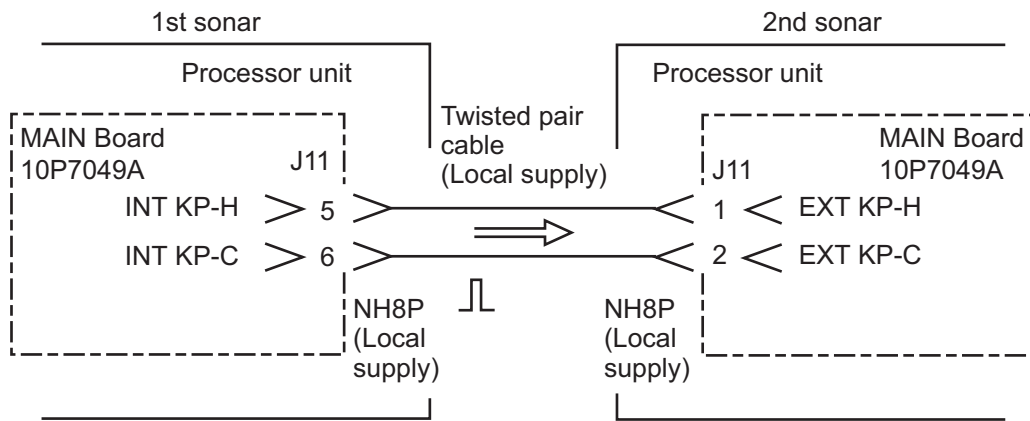
Log pulse (contact signal) can be input.

2.5 Synchronizing Transmission with Other Equipment

2.5.1 Synchronizing transmission with another CSH-5LMARK-2

When two CSH-5LMARK-2s are installed, connect them as shown below, so that the transmission of the second sonar is synchronized with that of the first.

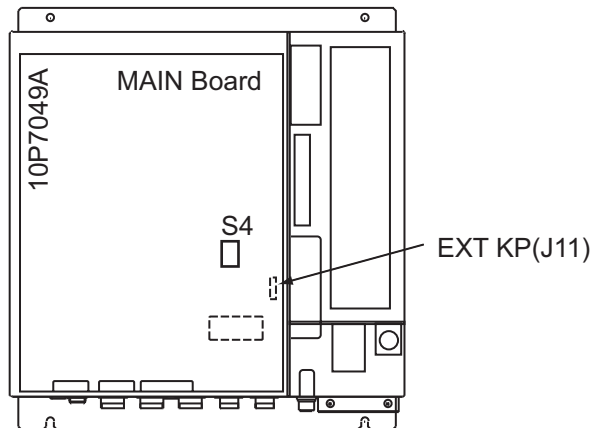
Wiring



Connecting two CSH-5LMARK-2s

DIP switch setting

Set DIP switch S4 on the MAIN Board in the processor unit as follows:



Location of DIP switch S4

DIP switch	1st sonar	2nd sonar
S4-#2	ON	—
S4-#2	—	OFF

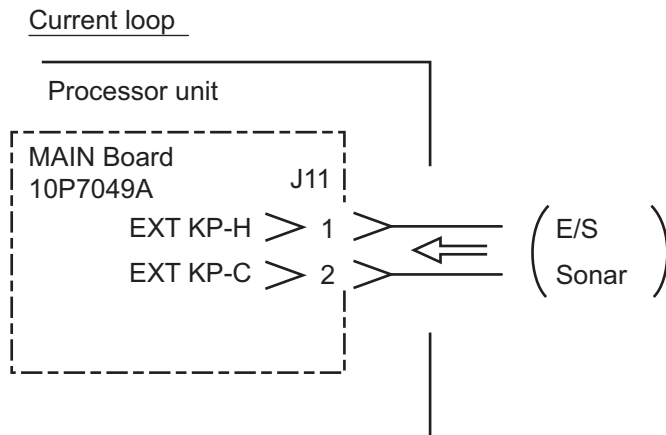
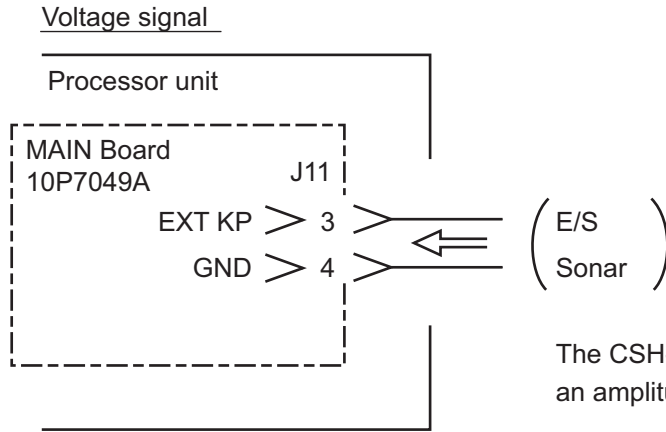
Menu setting

On 2nd sonar, set EXT KP SYNC to ON at the System menu. Refer to the operator's manual for the procedure.

2.5.2 Synchronizing with echo sounder or other sonar

To synchronize the transmission of the CSH-5LMARK-2 with an echo sounder or other sonar, make the connections shown below.

Wiring



Connecting CSH-5LMARK-2 with echo sounder or sonar

DIP switch setting

Set DIP switch S4-#1 on MAIN Board as below.

Positive KP: OFF

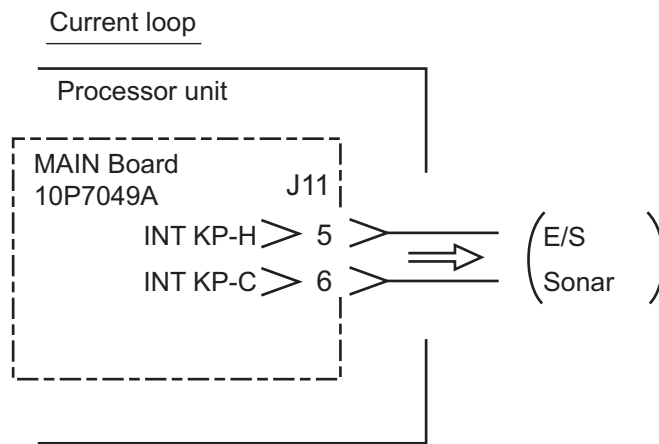
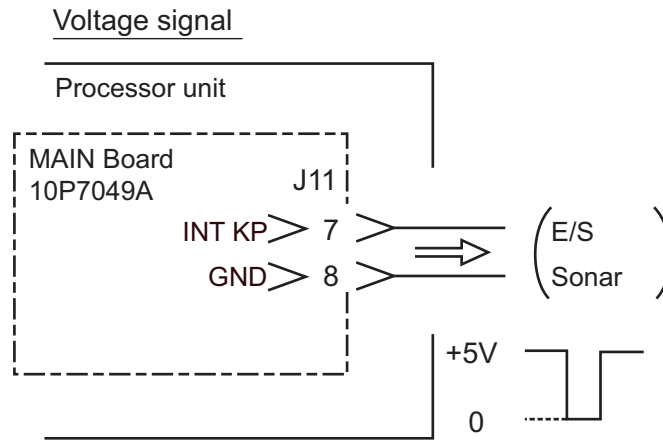
Negative KP: ON

Menu setting

Set EXT KP SYNC to ON at the System menu. Refer to the operator's manual for the procedure.

2.5.3 Outputting KP of CSH-5LMARK-2 to external equipment

To output KP of CSH-5LMARK-2 to an echo sounder or other type of sonar, make the connections shown below.



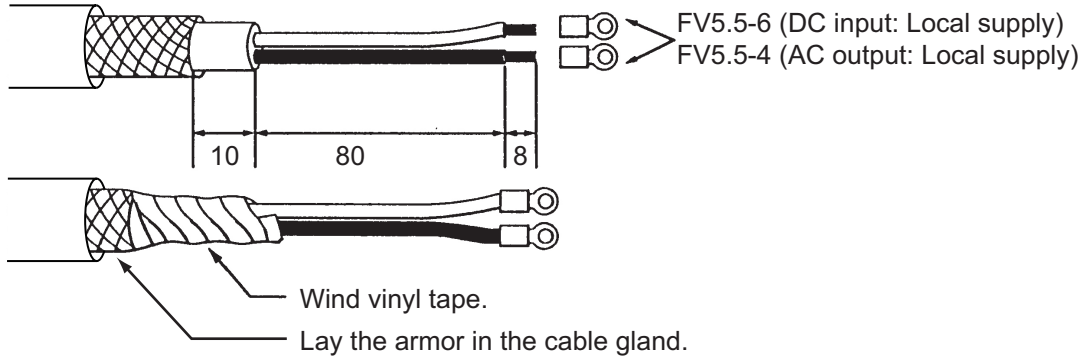
How to output CSH-5LMARK-2's KP to external equipment

DIP switch setting

S4-#2	Transmission trigger
OFF	Negative
ON	Positive

2.6 DC-AC Inverter

Use the JIS (Japan Industrial Standard) cable DPYCY-6 or equivalent (max. 5 m) between the ship's mains and the DC/AC inverter. For output (100 VAC), use JIS (Japan Industrial Standards) cable DPYCY-4 or equivalent (max. 50 m).



3. ADJUSTMENTS

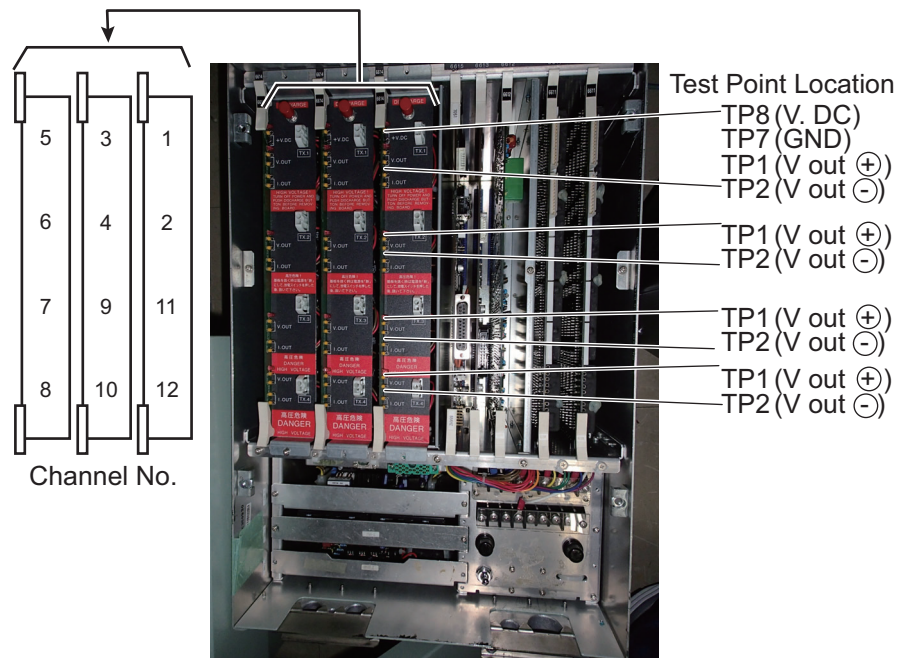
⚠ WARNING

⚡ ELECTRICAL SHOCK HAZARD
 Do not open the equipment unless totally familiar with electrical circuits and service manual.
 Only qualified personnels are allowed to work inside the equipment.

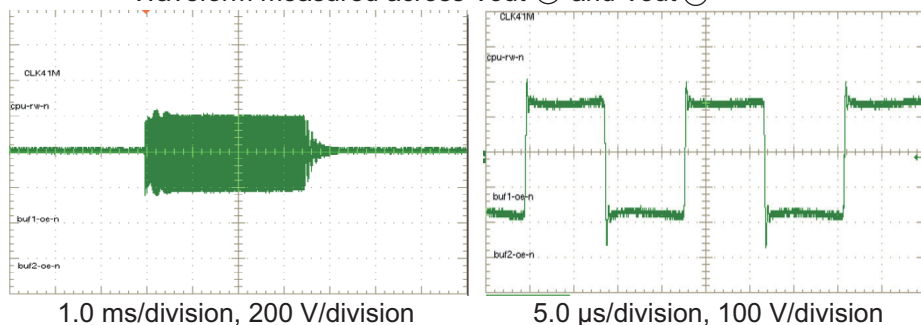
3.1 Measuring TX Output

- Set the controls of the control unit as follows.

TX OUTPUT: 10 (Max.)	PULSE LENGTH: 10 (Max.)
VER BEAMWIDTH: NARROW	RANGE: 200 m
- Connect the oscilloscope across Vout + and Vout – jacks on the TAMP boards (10P6624) and measure the peak-to-peak voltage of the TX signal at the center point of its pulse length.



Waveform measured across Vout ⊕ and Vout ⊖



Measuring TX output signal

3. ADJUSTMENTS

To measure the peak-to-peak voltage (Vpp), expand the waveform to 5 μ s/div. In the example shown on the previous page, the amplitude is 220 Vpp.

Typical value of TX output (68 kHz)

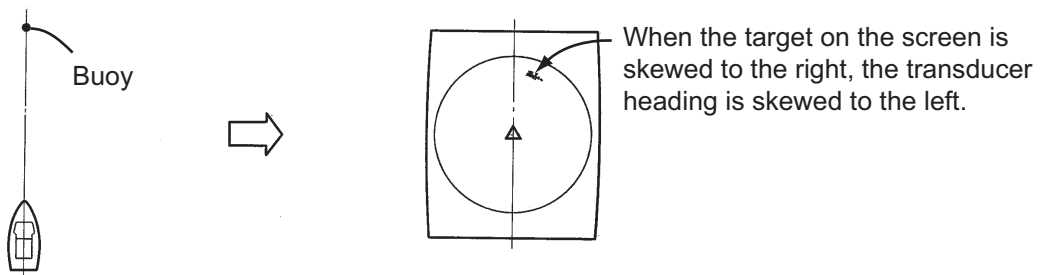
CH	Vout +, -	CH	Vout +, -	CH	Vout +, -
1	100 Vpp	5	240 Vpp	9	175 Vpp
2	100 Vpp	6	240 Vpp	10	175 Vpp
3	175 Vpp	7	240 Vpp	11	100 Vpp
4	175 Vpp	8	240 Vpp	12	100 Vpp

Typical value of TX output (55 kHz)

CH	Vout +, -	CH	Vout +, -	CH	Vout +, -
1	140 Vpp	5	310 Vpp	9	240 Vpp
2	140 Vpp	6	310 Vpp	10	240 Vpp
3	240 Vpp	7	310 Vpp	11	140 Vpp
4	240 Vpp	8	310 Vpp	12	140 Vpp

3.2 Heading Alignment

1. Turn on the power. Locate a target (buoy, etc.) in the bow direction and display it on the screen at a close range. The heading alignment is correct if the target in the bow direction is displayed 12 o'clock on the screen. If it is not, go to step 2.



Displaying a buoy on the screen

2. Read the skewed degree of the target selected at step 1.
3. Press the [MENU] key.
4. Use the [RANGE] control to choose [MENU MODE].
5. Use the [GAIN] control to choose SYSTEM to show the System menu.

** SYSTEM MENU **		(RANGE CTRL: U/D, GAIN CTRL: L/R)	
[MENU MODE]	: SONAR	SOUNDER	MARKS SYSTEM
DIMMER	: 10		
DISP SELECT	: TEMP	CURRENT	
HEADING ADJ	: 0°		
AUTO RETRACT	: OFF	(OFF, 5-16kn)	

System menu

6. Rotate the [RANGE] control to select HEADING ADJ.
7. Rotate the [GAIN] control to set value so a target directly ahead in bow direction is displayed at 12 o'clock.

3.3 Setting for External Equipment

Do the following settings depending on the external equipments connected. Open the System menu referring to the previous page.

** SYSTEM MENU **		(RANGE CTRL: U/D, GAIN CTRL: L/R)			
[MENU MODE]	:	SONAR	SOUNDER	MARKS	SYSTEM
DIMMER	:	10			
DISP SELECT	:	TEMP	CURRENT		
HEADING ADJ	:	0°			
AUTO RETRACT	:	OFF	(OFF, 5-16kn)		
SPEED MESSAGE	:	ON	OFF		
EXT KP SYNC	:	OFF	ON		
AUTO TRAIN SPD	:	LOW	HIGH		
AUTO TILT SPD	:	LOW	HIGH		
UNIT	:	METERS	FEET	FATHOMS	PA/BRA
SHIP'S SPD/BR	:	LOG/GYRO	CURRENT	NAV DATA	GYRO+NAV
LOG PULSE	:	200	400		
PORT1 BAUDRATE	:	19200	9600	4800	2400
PORT1 FORMAT	:	NMEA	CIF		
PORT2 BAUDRATE	:	19200	9600	4800	2400
PORT2 FORMAT	:	NMEA	CIF		
NAV DATA	:	GPS	LC	DR	ALL
COMBI SCALE	:	RIGHT	LEFT		
SUB TEXT INDI	:	OFF	ON		
LANGUAGE	:	ENGLISH	日本語	ESPAÑOL	DANSK
		NEDERLND	FRANÇAIS	ITALIANO	한국어
		NORSK	ไทย	中文	VIET
		မြန်မာ	INDONESIA		
ACTIVATIONCODE	:	EXECUTE			
TEST	:	SINGLE	CONTI	PANEL	COLOR
	:	PATTERN	SIO	ECHO-1	ECHO-2
	:	ECHO-3	ECHO-4		
SET TO DEFAULT	:	EXECUTE			
PRESS [MENU] KEY TO EXIT					

[-----] = Items should be set after the installation.

System menu

EXT KP SYNC

Select using or not using the external keying pulse (See “2.5 Synchronizing Transmission with Other Equipment” on page 2-16.)

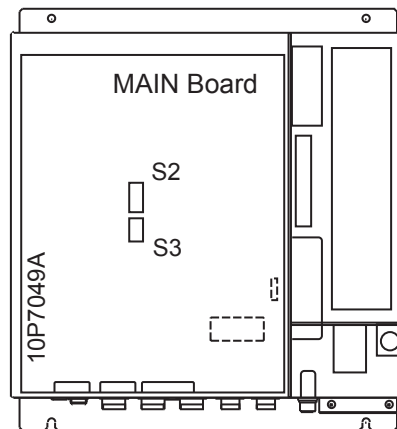
1. Rotate the [RANGE] control to select EXT KP SYNC.
2. Rotate the [GAIN] control to choose OFF or ON.
 OFF: Not using the external keying pulse
 ON: Using the external keying pulse

3. ADJUSTMENTS

SHIP'S SPD/BR

Choose the source of speed and course data with which to draw ship's track.

1. Rotate the [RANGE] control to select SHIP'S SPD/BR.
2. Rotate the [GAIN] control to choose item appropriately.
 - LOG GYRO: Use data from the speed log connected to LOG port as ship's speed, data from gyrocompass connected to GYRO port as ship's course.
 - CURRENT: Use data from the current indicator connected to NMEA1/CIF1 or NMEA2/CIF2 port.
 - NAV DATA: Use data from the equipment (set at [NAV DATA] described on next page) connected to NMEA/CIF 1 or NMEA/CIF 2 port.
 - GYRO+NAV: Use heading data signal from the sensor connected to the GYRO port for course, data from the equipment (set at [NAV DATA] described on next page) or current indicator connected to NMEA/CIF 1 or NMEA/CIF 2 port for the ship's speed. When using data from the current indicator (for positioning) for ship's speed, set DIP switch #2-2 in the transceiver unit to ON.



Location of DIP switch S2

LOG PULSE

Choose log pulse/mile specification of speed signal from the LOG port, 200 or 400 pulse/mile.

1. Rotate the [RANGE] control to select LOG PULSE.
2. Rotate the [GAIN] control to choose 200 or 400.

PORT 1 BAUDRATE. PORT 2 BAUDRATE

Set baud rate of equipment connected to NMEA1/CIF1 or NMEA2/CIF2 port, among 2400, 4800, 9600 and 19200 (bps).

1. Rotate the [RANGE] control to select PORT 1 BAUDRATE or PORT 2 BAUDRATE appropriately.
2. Rotate the [GAIN] control to choose item among 2400, 4800, 9600 and 19200.

PORT 1 FORMAT, PORT 2 FORMAT

Set format of equipment connected to NMEA1/CIF1 port or NMEA2/CIF2 port.

1. Rotate the [RANGE] control to select PORT 1 FORMAT or PORT 2 FORMAT appropriately.
2. Rotate the [GAIN] control to choose NMEA or CIF depending on the equipment connected.

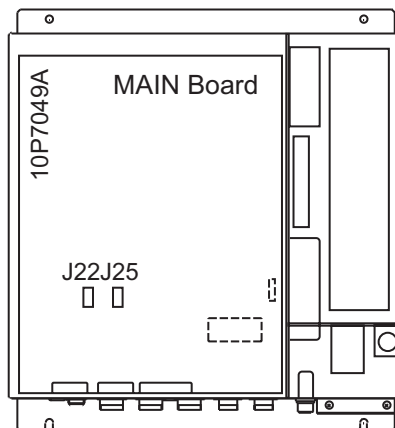
NAV DATA

Choose source of nav data among GPS, LC (Loran C), DR (Dead Reckoning) or ALL. "ALL" automatically chooses source in the order of GPS, Loran C and dead reckoning. (Priority: GPS>LC>DR)

1. Rotate the [RANGE] control to select NAV DATA.
2. Rotate the [GAIN] control to choose item appropriately.
Select "DR" when using the equipment connected to GYRO port and LOG port.

3.4 Setting GPS Navaid Smoothing

If position data from the GPS navigator is not smooth, set DIP switch S2 in the processor unit as below to smooth it.



Location of DIP switch S2 and S3

#3	#4	GPS course change
ON	ON	10°
ON	OFF	20°
OFF	ON	45°
OFF	OFF	90° (default setting)

#5	#6	GPS ship's speed average
ON	ON	2.0 kn
ON	OFF	1.5 kn
OFF	ON	1.0 kn
OFF	OFF	0.5 kn (default setting)

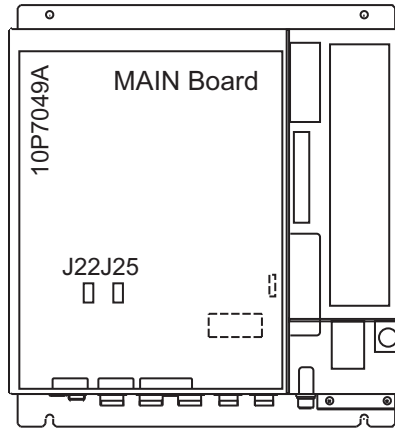
#7	Smoothing function
ON	Yes
OFF	No (default setting)

3. ADJUSTMENTS

When all switches are ON, GPS positioning data smoothed so that the course change is within 10° when own ship's speed is 2.0 kn or less.

3.5 NMEA Version Setting

Change the jumper block setting in the processor unit according to NMEA version to output.

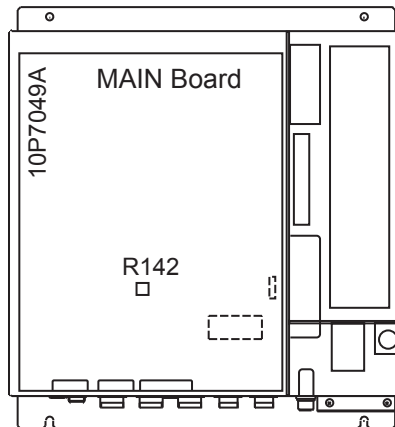


Location of jumper block J22 and J25

Jumper	NMEA Ver1.5	CIF or NMEA Ver2.0	Port
J22	1-2 (Default setting)	2-3	NMEA1/CIF1
J25	1-2 (Default setting)	2-3	NMEA2/CIF2

3.6 Adjusting Echo Sounder Video

When using the E/S interface to connect an echo sounder, adjust the video signal with the potentiometer R142 on the MAIN Board in the processor unit.



Location of R142

1. Rotate R142 so that the line on it locates at the center position.
2. Set the SOUNDER MENU as below.
GAIN: 10, CLUTTER: 0
3. On the SOUNDER MENU, set E/S INT REJECT to ON.
4. Set GAIN to 0 on the SOUNDER MENU.

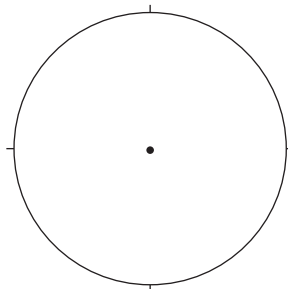
5. Adjust R142 so that noises disappear on the echo sounder display.
6. On the SOUNDER MENU, set the GAIN to 10, and then set the CLUTTER to 10.
7. Adjust R142 so that noises disappear on the echo sounder display.

3.7 Sea Trial

3.7.1 Cruising noise check

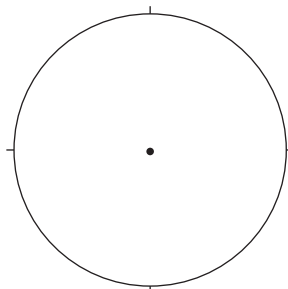
Check and record the cruising noise displayed on the screen. Do this with the transmitter turned off and the ship anchored, and also with the ship running at the speed normally used while the sonar is in use.

Ship anchored



NL	_____	ENG RPM	_____
RANGE	800 m	SPEED	0 kn
GAIN	5.0	SEA CONDITION	_____
TVG	N <input type="text" value="5"/> F <input type="text" value="5"/>		
TILT	0°		
DEPTH	_____		_____

Ship at cruising speed



NL	_____	ENG RPM	_____
RANGE	800 m	SPEED	_____
GAIN	5.0	SEA CONDITION	_____
TVG	N <input type="text" value="5"/> F <input type="text" value="5"/>		
TILT	0°		
DEPTH	_____		_____

3.7.2 Recording proper setting at sea trial

Record the suitable settings of controls and switches and take a photograph of the sonar picture as reference for later service.

PHOTOGRAPH	RANGE	<input type="text"/>
	TILT	<input type="text"/>
	TVG	N <input type="text"/> F <input type="text"/>
	GAIN	<input type="text"/>
	OUTPUT	<input type="text"/>
	TX PULSELENGTH	<input type="text"/>
	NOISE LIMITER	<input type="text"/>
	AGC	<input type="text"/>
	VP	<input type="text"/>
	INTERFERENCE REJ	<input type="text"/>

3. ADJUSTMENTS

This page is intentionally left blank.

APPENDIX 1 JIS CABLE GUIDE

Cables listed in the manual are usually shown as Japanese Industrial Standard (JIS). Use the following guide to locate an equivalent cable locally.

JIS cable names may have up to 6 alphabetical characters, followed by a dash and a numerical value (example: DPYC-2.5).

For core types D and T, the numerical designation indicates the *cross-sectional Area (mm²)* of the core wire(s) in the cable.

For core types M and TT, the numerical designation indicates the *number of core wires* in the cable.

1. Core Type

- D: Double core power line
- T: Triple core power line
- M: Multi core
- TT: Twisted pair communications
(1Q=quad cable)

2. Insulation Type

- P: Ethylene Propylene Rubber

3. Sheath Type

- Y: PVC (Vinyl)

4. Armor Type

- C: Steel

5. Sheath Type

- Y: Anticorrosive vinyl sheath

6. Shielding Type

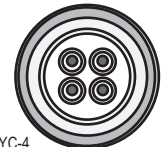
- S: All cores in one sheath
- S: Individually sheathed cores
- SLA: All cores in one shield, plastic tape w/aluminum tape
- SLA: Individually shielded cores, plastic tape w/aluminum tape



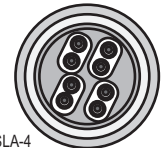
DPYCY



TPYCY



MPYC-4



TTYCSLA-4

EX: ^{1 2 3 4 5 6} **TTYCYSLA - 4**
 Designation type | # of twisted pairs

EX: ^{1 2 3 4} **MPYC - 4**
 Designation type | # of cores

The following reference table lists gives the measurements of JIS cables commonly used with Furuno products:

Type	Core Area	Core Diameter	Cable Diameter	Type	Core Area	Core Diameter	Cable Diameter
DPYC-1.5	1.5mm ²	1.56mm	11.7mm	TTYCS-1	0.75mm ²	1.11mm	10.1mm
DPYC-2.5	2.5mm ²	2.01mm	12.8mm	TTYCS-1T	0.75mm ²	1.11mm	10.6mm
DPYC-4	4.0mm ²	2.55mm	13.9mm	TTYCS-1Q	0.75mm ²	1.11mm	11.3mm
DPYC-6	6.0mm ²	3.12mm	15.2mm	TTYCS-4	0.75mm ²	1.11mm	16.3mm
DPYC-10	10.0mm ²	4.05mm	17.1mm	TTYCSLA-1	0.75mm ²	1.11mm	9.4mm
DPYCY-1.5	1.5mm ²	1.56mm	13.7mm	TTYCSLA-1T	0.75mm ²	1.11mm	10.1mm
DPYCY-2.5	2.5mm ²	2.01mm	14.8mm	TTYCSLA-1Q	0.75mm ²	1.11mm	10.8mm
DPYCY-4	4.0mm ²	2.55mm	15.9mm	TTYCSLA-4	0.75mm ²	1.11mm	15.7mm
MPYC-2	1.0mm ²	1.29mm	10.0mm	TTYCY-1	0.75mm ²	1.11mm	11.0mm
MPYC-4	1.0mm ²	1.29mm	11.2mm	TTYCY-1T	0.75mm ²	1.11mm	11.7mm
MPYC-7	1.0mm ²	1.29mm	13.2mm	TTYCY-1Q	0.75mm ²	1.11mm	12.6mm
MPYC-12	1.0mm ²	1.29mm	16.8mm	TTYCY-4	0.75mm ²	1.11mm	17.7mm
TPYC-1.5	1.5mm ²	1.56mm	12.5mm	TTYCY-4S	0.75mm ²	1.11mm	21.1mm
TPYC-2.5	2.5mm ²	2.01mm	13.5mm	TTYCY-4SLA	0.75mm ²	1.11mm	19.5mm
TPYC-4	4.0mm ²	2.55mm	14.7mm	TTYCYS-1	0.75mm ²	1.11mm	12.1mm
TPYCY-1.5	1.5mm ²	1.56mm	14.5mm	TTYCYS-4	0.75mm ²	1.11mm	18.5mm
TPYCY-2.5	2.5mm ²	2.01mm	15.5mm	TTYCYSLA-1	0.75mm ²	1.11mm	11.2mm
TPYCY-4	4.0mm ²	2.55mm	16.9mm	TTYCYSLA-4	0.75mm ²	1.11mm	17.9mm

APPENDIX 2 PROCEDURE FOR RETROFITTING

When retrofitting the CH series with the CSH-5LMARK-2 it is not necessary to change the retraction tank. However, the hull unit must be chosen according to retraction tank length. Refer to the table below to choose hull unit. This must also be done with the 1800 mm or 3500 mm retraction tank.

Tank length (L) mm	Hull unit type	Remarks
$600 \leq L \leq 750$	CSH-5040-A-FFx13	XDCR cable: 4200 mm, Main shaft: 1300 mm
$750 < L \leq 1000$	CSH-5040-A-FFx15	XDCR cable: 4200 mm, Main shaft: 1550 mm
$1000 < L \leq 1800$	CSH-5040-A-FFx23	XDCR cable: 4900 mm, Main shaft: 2350 mm
$1800 < L \leq 3500$	CSH-5040-A-FFx40	XDCR cable: 6600 mm, Main shaft: 4065 mm

Note 1: The hull unit CSH-5041-A (400 mm transducer travel) can not be used.

Note 2: When some portion of the main shaft is cut off, the parts listed below should be additionally ordered.

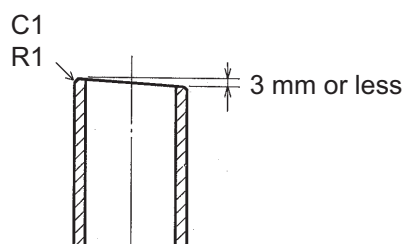
Name	Type	Code No.
Waterproofing attachment	10-044-2320-0	006-970-810
Lock-tight	#601	000-856-120

The waterproofing attachment is supplied with the CSH-5040-A-FFx40.

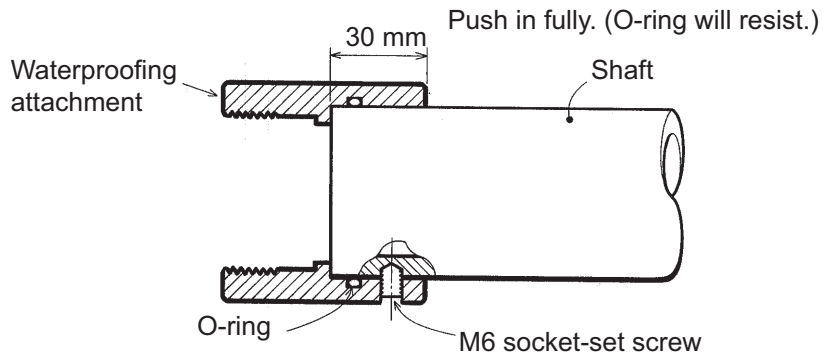
Note 3: FF: Frequency, x: Retraction tank type

Installation when retraction tank is more than 750 mm long

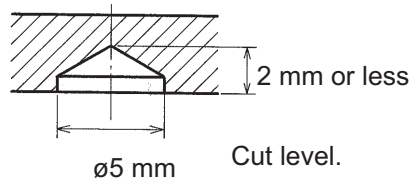
- Calculate the necessary length of the main shaft.
 - Main shaft length = Tank length + 565 mm (See page AP-5.)
 - If there is sufficient space above the hull unit, it is not necessary to cut the main shaft; the main shaft is installed with its top portion protruded beyond the top of the hull unit.
 - If the cut length of the main shaft is less than 50 mm, use it without cutting it. The waterproofing attachment is not necessary. Note, however, that protrusion length of the transducer is reduced.
- Cut the main shaft to the necessary length.
 - It is recommended to use a machine lathe to cut the main shaft.
 - Chamfer the top of the main shaft as shown below. (When chamfering with a file, use a fine file and finish the surface as smooth as possible.)
 - When clamping the main shaft with a clamp, take care not to hurt the shaft surface.
 - When a metal saw is used to cut the main shaft, finish the shaft top so that it is level within 3 mm.



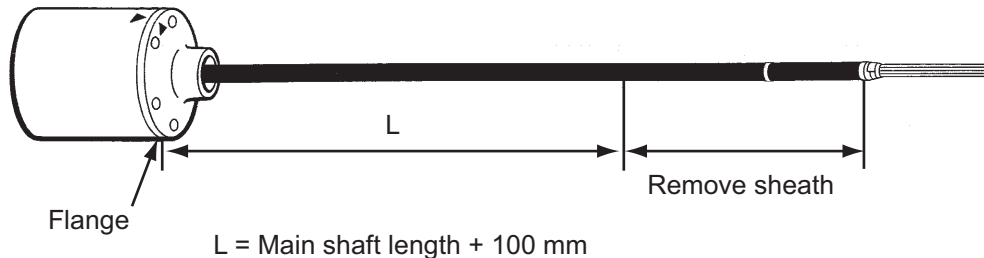
3. Temporarily install the waterproofing attachment on the top of the main shaft and make holes for socket-set screws.



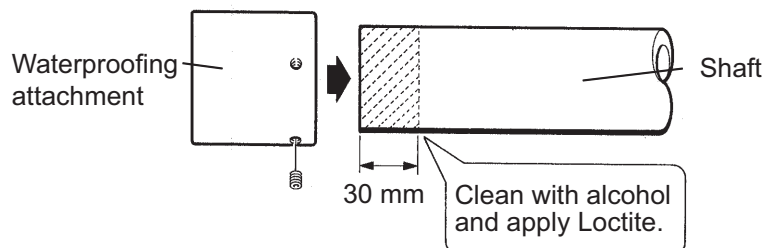
- a) Mark drilling point on the shaft surface by tightening M6 socket-set screws (2 pcs.)
- b) Remove the waterproofing attachment.
- c) Drill holes less than 2 mm in depth. The drill bit should be stainless steel, $\phi 5$, 120° tip. Do not drill holes through the shaft. Use a low rpm drill, and use cutting oil.



4. Remove the sheath of the transducer cable and wrap the sheath end vinyl tape.

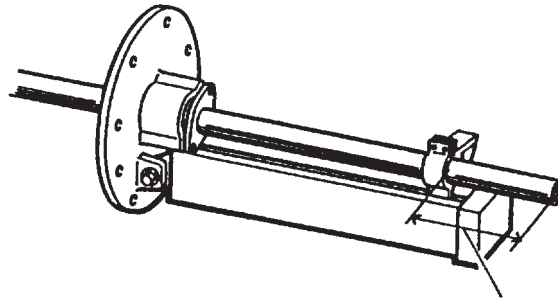


5. Pass the main shaft through the main body flange and assemble the hull unit. Refer to chapter 1 for the assembling procedure.
6. Clean the top of the main shaft with alcohol, apply bond "Loctite 601" and install the waterproofing attachment.



- Tighten the M6 socket-set screws with a torque of 3.92 N·m to 4.9 N·m.
7. Assemble the hull unit completely, taking the following points into account.
 - 1) The shaft retainer should be in contact with the waterproofing attachment.
 - 2) The fastening band should not be used on the main shaft fitted with the waterproofing attachment is used.

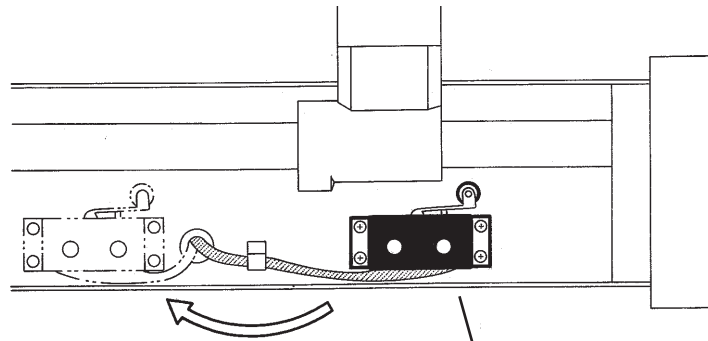
- 3) When the main shaft is installed without cutting, position the shaft retainer as below.



L = Cut length shown on page AP-6 + 30 mm.

Installation when retraction tank is 600 mm to 750 mm long

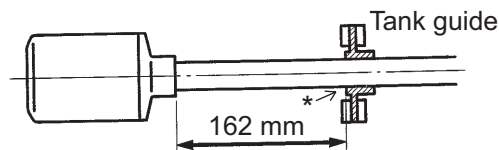
1. Follow the steps 1 to 5 in the previous procedure.
2. Modify the transducer travel to 450 mm by changing the upper limit switch position.



Move the upper limit switch to modify to 450 mm travel.

Upper limit switch.

3. Assemble the hull unit completely, taking the following points into account. Refer to chapter 1 for details of assembling and installation.
 - a) The tank guide should be installed at a position 162 mm above the top of the transducer flange.



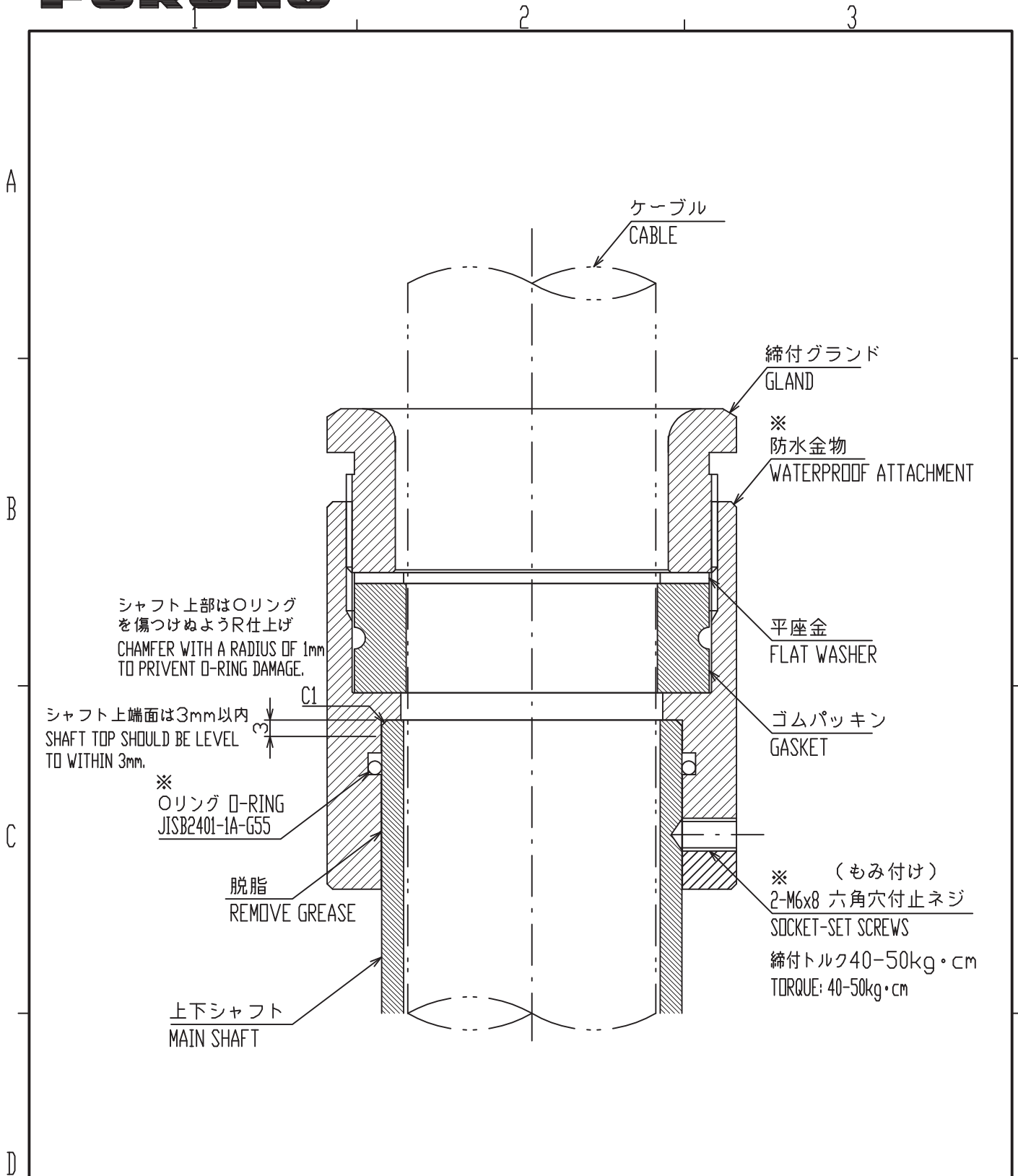
*Measure from the inside of the tank guide.

- b) The shaft retainer should be in contact with the waterproofing attachment.

Relation between retraction tank length and main shaft length

Main shaft		945		1300		1550		2350		4065	
Shaft length/ cut length		Shaft L(m)	Cut L(m)	Shaft L(m)	Cut L(m)	Shaft L(m)	Cut L(m)	Shaft L(m)	Cut L(m)	Shaft L(m)	Cut L(m)
Hull unit	Tank length										
CSH-5041-A 400 stroke	550	945	0								
	600			1015	285						
CSH-5040-A 600 stroke converted to 450 stroke	650			1065	235						
	700			1150	185						
	750			1300	0						
CSH-5040-A 600 stroke	800					1365	185				
	850					1415	135				
	900					1465	85				
	950					1515	35				
	1000					1550	0				
	1100							1665	685		
	1200							1765	585		
	1300							1865	485		
	1400							1965	385		
	1500							2065	285		
	1600							2165	185		
	1700							2265	85		
	1800							2350	0		
	1900									2465	1600
	2000									2565	1500
	2100									2665	1400
	2200									2765	1300
	2300									2865	1200
	2400									2965	1100
	2500									3065	1000
2600									3165	900	
2700									3265	800	
2800									3365	700	
2900									3465	600	
3000									3565	500	
3100									3665	400	
3200									3765	300	
3300									3865	200	
3400									3965	100	
3500									4065	0	

Note: When there is enough space above the hull unit, it is not necessary to cut the shaft. (Fasten the shaft with the shaft retainer at the position of “cut length + 30 mm” from the upper edge of the shaft.)



注記

1) ※: 防水金物セットに含む (オプション)。

NOTE

1. ※: SUPPLIED AS WATERPROOF ATTACHMENT (OPTION).

DRAWN	Dec. 25 '02	T.YAMASAKI	TITLE
CHECKED	Dec. 25 '02	Y.KIMURA	名称 上下シャフト上端 (防水金物)
APPROVED			装備要領
SCALE	1/1	MASS ±10% kg	NAME CONSTRUCTION OF MAIN SHAFT TOP INSTALLATION PROCEDURE
DWGNo.	C1273-Y01- B		

FURUNO

CODE NO. 006-910-940-00
TYPE CP10-05201

10CS-X-9403-4
1/1

工事材料表

INSTALLATION MATERIALS		用名/規格		用途/備考	
番号 NO.	名称 NAME	略図 OUTLINE	DESCRIPTIONS	数量 QTY	REMARKS
1	コネクタ (8016) CONNECTOR (8016)		008016-038-013701NF CODE NO. 000-155-017-10	1	
2	コネクタ用パイプ (8017) INSULATION TUBE		3. OX. 3. YEL. #500M* CODE NO. 000-162-341-10	2	
3	コネクタ用ピン (8017) CONTACT PIN (8017)		60-8017-0315-00339F* CODE NO. 000-155-117-10	40	
4	ビニル線 VINYL WIRE		KIV 2. OSU 加 #2M* CODE NO. 000-154-515-30	1	
5	コネクタ用SRON CONNECTOR (SRON)		SRON6A13-3P CODE NO. 000-160-725-10	1	
6	コネクタ用SRON CONNECTOR (SRON)		SRON6A13-5P CODE NO. 000-160-725-10	1	
7	コネクタ用SRON CONNECTOR (SRON)		SRON6A16-10P CODE NO. 000-160-725-10	2	
8	コネクタ用SRON CONNECTOR (SRON)		SRON6A16-7P CODE NO. 000-160-725-10	1	

型式/コード番号が2数の場合、下段より上段に代わる通線部品であり、どちらかが入っています。なお、品質は変わりません。
THE TYPES AND CODES MAY BE LISTED FOR AN ITEM. THE LOWER PRODUCT MAY BE SHIPPED IN PLACE OF THE UPPER PRODUCT.
QUALITY IS THE SAME.
(断面の寸法は、参考値です。 DIMENSIONS IN DRAWING FOR REFERENCE ONLY.)

FURUNO ELECTRIC CO., LTD.

C1319-H03-E

FURUNO

CODE NO. 006-904-860-00
TYPE CP10-05202

10CS-X-9401-6
1/1

工事材料表

INSTALLATION MATERIALS		用名/規格		用途/備考	
番号 NO.	名称 NAME	略図 OUTLINE	DESCRIPTIONS	数量 QTY	REMARKS
1	コネクタ (8016) CONNECTOR		008016-038-000761NF CODE NO. 000-155-016-10	1	
2	コネクタ用ピン (8017) CONTACT PIN (8017)		60-8017-0315-00339F* CODE NO. 000-155-117-10	38	
3	ケーブルタイ CABLE TIE		CA-150M CODE NO. 000-162-185-10	20	
4	銅板 COPPER STRAP		MEA-1004-0 ROHS CODE NO. 500-310-040-10	1	

型式/コード番号が2数の場合、下段より上段に代わる通線部品であり、どちらかが入っています。なお、品質は変わりません。
THE TYPES AND CODES MAY BE LISTED FOR AN ITEM. THE LOWER PRODUCT MAY BE SHIPPED IN PLACE OF THE UPPER PRODUCT.
QUALITY IS THE SAME.
(断面の寸法は、参考値です。 DIMENSIONS IN DRAWING FOR REFERENCE ONLY.)

FURUNO ELECTRIC CO., LTD.

C1319-H01-G

CODE NO.	006-904-880-00	10CS-X-9402-4	1/1
TYPE	CP10-05203		

工事材料表

番号 NO.	名称 NAME	略図 OUTLINE	型名/規格 DESCRIPTIONS	数量 QTY	用途/備考 REMARKS
1	ケーブル CABLE TIE		CP-150M CODE NO. 000-162-186-10	30	
2	銅板 COPPER STRAP		HEA-1004-O R0HS CODE NO. 000-310-040-10	1	

型式/コード番号が2数の場合、下段より上段に代わる標準部品であり、どちらが入っています。なお、品質は変わりません。
TWO TYPES AND CODES MAY BE LISTED FOR AN ITEM. THE LOWER PRODUCT MAY BE SHIPPED IN PLACE OF THE UPPER PRODUCT.
QUALITY IS THE SAME.
(断面の寸法は、参考値です。 DIMENSIONS IN DRAWING FOR REFERENCE ONLY.)

CODE NO.	10CS-X-9404-1	1/2
TYPE		


工事材料表

番号 NO.	名称 NAME	略図 OUTLINE	型名/規格 DESCRIPTIONS	数量 QTY	用途/備考 REMARKS
CSH-5L					
INSTALLATION MATERIALS					
1	信号ケーブル組品 SIGNAL CABLE ASSY.		S10-7-15 (38P) *15M* CODE NO. 000-376-380-00	1	制御/送受信装置用 FOR CONTROL/TRANSCIVER UNIT *選択*TO BE SELECT
2	信号ケーブル組品 SIGNAL CABLE ASSY.		S10-7-30 (38P) *30M* CODE NO. 000-376-380-00	1	制御/送受信装置用 FOR CONTROL/TRANSCIVER UNIT *選択*TO BE SELECT
3	信号ケーブル組品 SIGNAL CABLE ASSY.		S10-7-50 (38P) *50M* CODE NO. 000-376-380-00	1	制御/送受信装置用 FOR CONTROL/TRANSCIVER UNIT *選択*TO BE SELECT
4	RX168 芯ケーブル組品 168C RX CABLE ASSY.		10S1562 *5M* CODE NO. 000-376-400-01	1	送受信/前置装置用 FOR TRANSCIVER/PRE-AMPLIFIER UNIT *選択*TO BE SELECT
5	RX168 芯ケーブル組品 168C CABLE ASSY.		10S1583 *10M* CODE NO. 000-376-400-01	1	送受信/前置装置用 FOR TRANSCIVER/PRE-AMPLIFIER UNIT *選択*TO BE SELECT
6	RX168 芯ケーブル組品 168C CABLE ASSY.		10S1584 *15M* CODE NO. 000-376-400-01	1	送受信/前置装置用 FOR TRANSCIVER/PRE-AMPLIFIER UNIT *選択*TO BE SELECT
7	信号ケーブル組品 SIGNAL CABLE ASSY.		S10-7-10 CODE NO. 000-376-460-00	1	送受信/前置装置用 FOR TRANSCIVER/PRE-AMPLIFIER UNIT *選択*TO BE SELECT
8	信号ケーブル組品 SIGNAL CABLE ASSY.		S10-7-15 CODE NO. 000-376-460-00	1	送受信/前置装置用 FOR TRANSCIVER/PRE-AMPLIFIER UNIT *選択*TO BE SELECT
9	信号ケーブル組品 SIGNAL CABLE ASSY.		S10-7-5 CODE NO. 000-376-610-00	1	送受信/前置装置用 FOR TRANSCIVER/PRE-AMPLIFIER UNIT *選択*TO BE SELECT
10	ケーブル組品 CABLE ASSY.		30D-2P-6C *5M* CODE NO. 001-077-230-10	1	表示部/制御部 FOR MONITOR/CONTROL UNIT *選択*TO BE SELECT

型式/コード番号が2数の場合、下段より上段に代わる標準部品であり、どちらが入っています。なお、品質は変わりません。
TWO TYPES AND CODES MAY BE LISTED FOR AN ITEM. THE LOWER PRODUCT MAY BE SHIPPED IN PLACE OF THE UPPER PRODUCT.
QUALITY IS THE SAME.
(断面の寸法は、参考値です。 DIMENSIONS IN DRAWING FOR REFERENCE ONLY.)

FURUNO

CODE NO.	10CS-X-9404-1
TYPE	2/2

工事材料表		INSTALLATION MATERIALS		CSH-5L	
番号 NO.	名称 NAME	略図 OUTLINE	型名/規格 DESCRIPTIONS	数量 QTY	用途/備考 REMARKS
11	ケーブル組品 CABLE ASSY.		300X-2P-6C-10M* CODE NO. 1001-077-220-10	1	表示部/制御部 FOR MONITOR/CONTROL UNIT *選択*TO BE SELECT


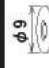




型式/コード番号が2段の場合、下段より上段に代わる通線部品であり、どちらかが入っています。なお、品質は変わりません。
TWO TYPES AND CODES MAY BE LISTED FOR AN ITEM. THE LOWER PRODUCT MAY BE SHIPPED IN PLACE OF THE UPPER PRODUCT.
QUALITY IS THE SAME.
(略図の寸法は、参考値です。DIMENSIONS IN DRAWING FOR REFERENCE ONLY.)

FURUNO ELECTRIC CO., LTD.

C1319-H04-B (2)

FURUNO

CODE NO.	1006-905-030-00
TYPE	FP10-02701


付属品表		ACCESSORIES		10CS-X-9501-5 1/1	
番号 NO.	名称 NAME	略図 OUTLINE	型名/規格 DESCRIPTIONS	数量 QTY	用途/備考 REMARKS
1	KB固定基盤 KB MOUNTING PLATE		10-078-2221-0 R0HS CODE NO. 100-302-210-10	1	
2	平板ワッシャー FLAT WASHER		M4 C2680R CODE NO. 100-168-235-10	2	
3	六角ナット 1/2 HEX. NUT		M4 C3604B CODE NO. 100-168-237-10	2	
4	バネワッシャー SPRING WASHER		M4 C5191W CODE NO. 100-168-238-10	2	
5	オвал小ネジ OVAL HEAD SCREW		MAX12 C2700W M0N12 CODE NO. 100-165-309-10	2	
6	+ T7 六角ボルト HEX. BOLT		MAX12 SUS304 CODE NO. 100-162-314-10	4	
7	ゴム足 RUBBER FEET		S-6003 7φ CODE NO. 100-165-669-10	4	

型式/コード番号が2段の場合、下段より上段に代わる通線部品であり、どちらかが入っています。なお、品質は変わりません。
TWO TYPES AND CODES MAY BE LISTED FOR AN ITEM. THE LOWER PRODUCT MAY BE SHIPPED IN PLACE OF THE UPPER PRODUCT.
QUALITY IS THE SAME.
(略図の寸法は、参考値です。DIMENSIONS IN DRAWING FOR REFERENCE ONLY.)

FURUNO ELECTRIC CO., LTD.

C1319-F01-F











FURUNO

SHIP NO.	SPARE PARTS LIST FOR	U S E		REMARKS/CODE NO.	SETS PER VESSEL
		CODE NO. TYPE	SP10-02901		
		006-907-700-00	10CS-X-9302-2 1/1		
		SP10-02901	BOX NO. P		
ITEM NO.	NAME OF PART	DWR. NO. OR TYPE NO.	OUTLINE	QUANTITY	REMARKS/CODE NO.
				WORKING PER SET	SPARE
1	E ₁ -X [*] FUSE	FB80-A 125V 2A PBF FB80-A 2A AC125V			2
					000-155-849-10 000-949-062-00

（図面の寸法は、参考値です。DIMENSIONS IN DRAWING FOR REFERENCE ONLY.）
 型式/コード番号が2原の場合、下線より上原に代わる標準品であり、どちらかが入っています。なお、品質は変わりません。
 TWO TYPES AND CODES MAY BE LISTED FOR AN ITEM. THE LOWER PRODUCT MAY BE SHIPPED IN PLACE OF THE UPPER PRODUCT. QUALITY IS THE SAME.

MR'S NAME FURUNO ELECTRIC CO., LTD. DWR NO. C1319-P03-C 1/1

FURUNO



SHIP NO.	SPARE PARTS LIST FOR	U S E		REMARKS/CODE NO.	SETS PER VESSEL
		CODE NO. TYPE	SP10-02902		
		006-904-850-00	10CS-X-9301-S 1/2		
		SP10-02902	BOX NO. P		
ITEM NO.	NAME OF PART	DWR. NO. OR TYPE NO.	OUTLINE	QUANTITY	REMARKS/CODE NO.
				WORKING PER SET	SPARE
1	E ₁ ソケット組 EL SOCKET CONTACT ASSY.	80-0074			6
2	XHソケット組品 XH CONTACT ASST.	80-0075			20
3	コネクタ (EL) CONNECTOR	ELP-02V			2
4	E ₁ -X [*] GLASS TUBE FUSE	FB80 125V 7A PBF		1	2
5	E ₁ -X [*] GLASS TUBE FUSE	FB80 250V 4A PBF		1	2
6	E ₁ -X [*] GLASS TUBE FUSE	FB80 250V 2A PBF			4
7	コネクタ (XH) XH CONNECTOR HOUSING	XHP-10			2
8	コネクタ (XH) XH CONNECTOR HOUSING	XHP-12			2
9	コネクタ (XH) XH CONNECTOR HOUSING	XHP-13			2
10	コネクタ (XH) XH CONNECTOR HOUSING	XHP-14			2

（図面の寸法は、参考値です。DIMENSIONS IN DRAWING FOR REFERENCE ONLY.）
 型式/コード番号が2原の場合、下線より上原に代わる標準品であり、どちらかが入っています。なお、品質は変わりません。
 TWO TYPES AND CODES MAY BE LISTED FOR AN ITEM. THE LOWER PRODUCT MAY BE SHIPPED IN PLACE OF THE UPPER PRODUCT. QUALITY IS THE SAME.

MR'S NAME FURUNO ELECTRIC CO., LTD. DWR NO. C1319-P01-F JP 1/2

FURUNO

CODE NO.	006-904-850-00	10CS-X-9301-5	2/2
TYPE	SP10-02902	BOX NO.	P

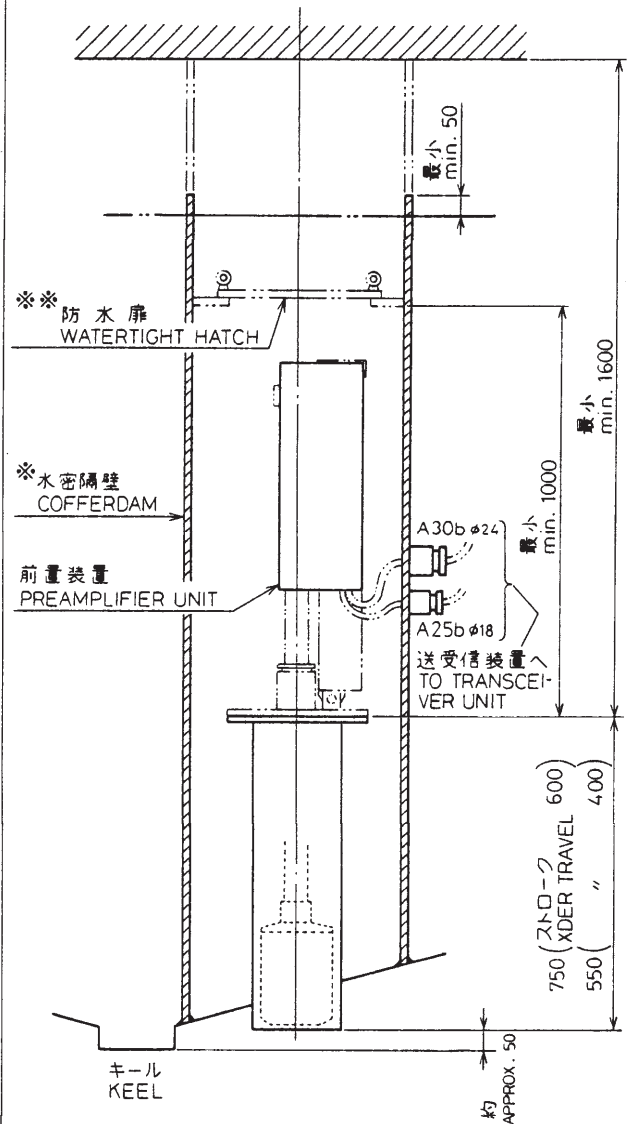
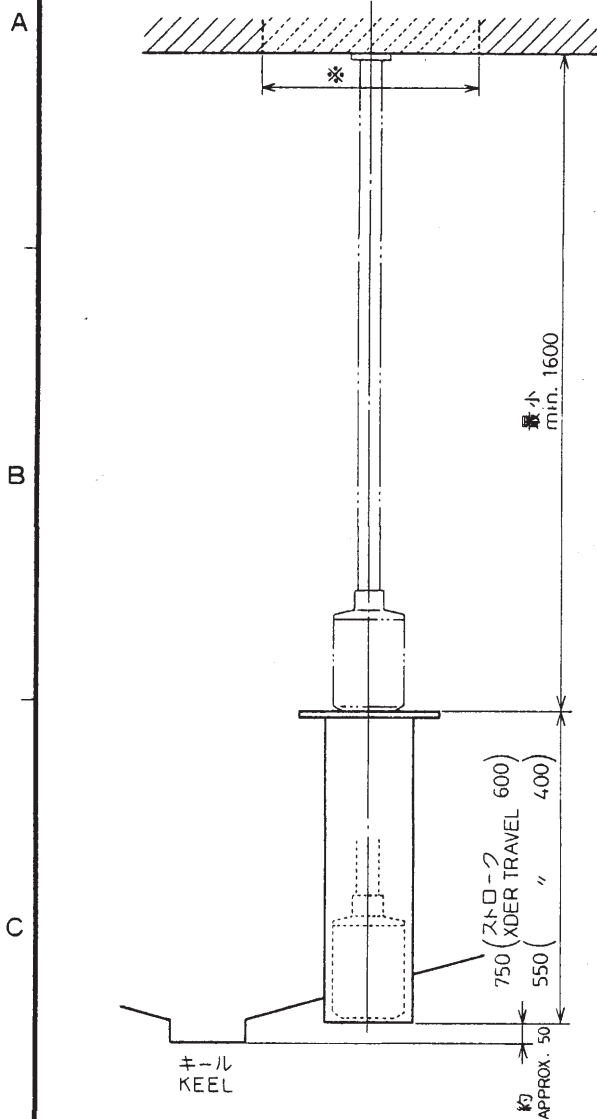
SHIP NO.	SPARE PARTS LIST FOR			U S E			SETS PER VESSEL	
	ITEM NO.	NAME OF PART	OUTLINE	DWR. NO. OR TYPE NO.	QUANTITY		REMARKS/CODE NO.	
					WORKING PER SET	SPARE PER SET		
	11	XH CONNECTOR HOUSING XH-XH		XHP-15		2	000-110-946-10	
	12	XI CONNECTOR HOUSING XI-XI		XIP-7		2	000-105-683-10	
MFR'S NAME	FURUNO ELECTRIC CO., LTD.			DWR. NO.	C5664-P01-F JP		2/2	

(特記の寸法は、参考値です。 DIMENSIONS IN DRAWING FOR REFERENCE ONLY.)
 型式/コード番号が2桁の場合、下桁より上桁に代わる添数部品であり、どちらかが入っています。 なお、品質は
 THE TYPES AND CODES MAY BE LISTED FOR AN ITEM. THE LOWER PRODUCT MAY BE SHIPPED IN PLACE OF THE
 UPPER PRODUCT. QUALITY IS THE SAME.

This page intentionally left blank.

標準装備
STANDARD INSTALLATION

防水室内装備
WATERTIGHT ROOM INSTALLATION



※ 上下装置上部に1600mmのサービス空間を取れない場合は、天井に“300×300”の穴をあけておくこと。

※ IF OVERHEAD CLEARANCE OF 1600MM IS NOT ALLOWED, MAKE A HOLE OF 300×300MM ON CEILING FOR EASE OF INSTALLATION AND FUTURE SERVICE.

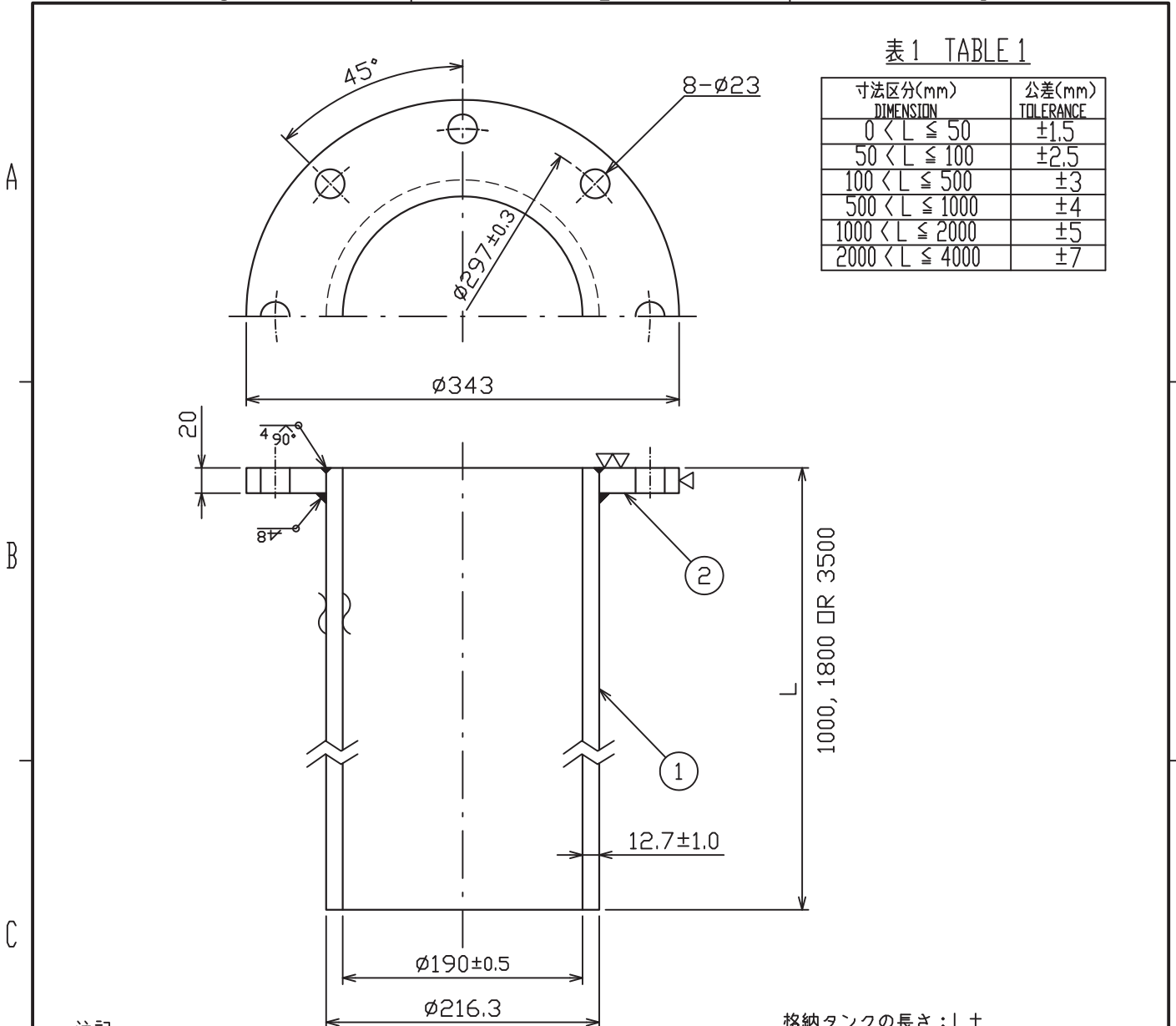
1. 水密隔壁は船級協会規則を参照し、造船所で作成下さい。その際サービススペースも考慮して下さい。
 2. ※※水密隔壁の上限を吃水線の上までとれない場合には上下装置取り外しの為、防水扉を設けること。
1. CONSTRUCT THE COFFERDAM IN ACCORDANCE WITH CONCERNED REGULATION. ALSO ALLOW ENOUGH MAINTENANCE SPACE.
 2. ※※ PROVIDE A WATER TIGHT HATCH FOR FUTURE MAINTENANCE IF A COFFERDAM IS NOT HIGH ABOVE WATER LEVEL.

D

CSH-5		品番 ITEM	品名 NAME		材質 MATERIAL	数量 Q'TY	図番 DWG.NO.	摘要 REMARKS
承認 APPROVED	• •	三角法 THIRD ANGLE PROJECTION		名称 TITLE	格納タンクの装備例 RETRACTION TANK INSTALLATION METHOD			
検図 CHECKED	• •	尺度 SCALE	✕					
製図 DRAWN	M. USUDA	重量 WEIGHT	kg		図番 DWG.NO.	C1273-Y02-A		

表1 TABLE 1

寸法区分(mm) DIMENSION	公差(mm) TOLERANCE
0 < L ≤ 50	±1.5
50 < L ≤ 100	±2.5
100 < L ≤ 500	±3
500 < L ≤ 1000	±4
1000 < L ≤ 2000	±5
2000 < L ≤ 4000	±7



注記

- 1) 指定なき寸法公差は表1による。
- 2) フランジ面は塗装しないこと。
- 3) タンク側面はエピコンジクリッチプライマ(中国塗料製)を塗布すること。
- 4) タンク内面はビニル防汚塗料を二重に塗布すること。

格納タンクの長さ : Lt
 LENGTH OF RETRACTION TANK: Lt
 Lt = mm

NOTE

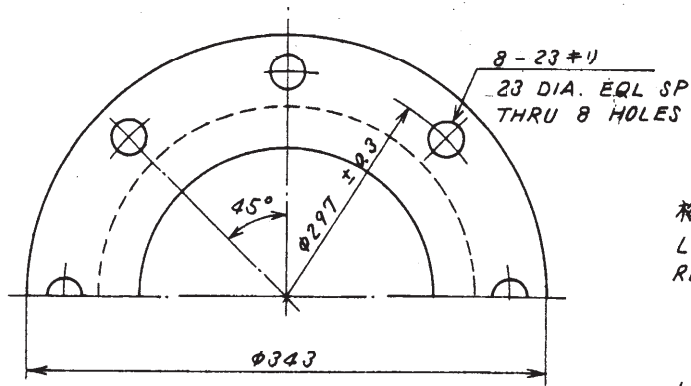
1. TABLE 1 INDICATES TOLERANCE OF DIMENSIONS WHICH IS NOT SPECIFIED.
2. DO NOT PAINT ON SURFACE OF FLANGE.
3. APPLY ZINC RICH PRIMER ON OUTSIDE OF TANK.
4. APPLY VINYL ANTI-FOULING PAINT TWICE ON INSIDE OF TANK.

長さ L (mm) LENGTH (mm)	質量(kg±10%) MASS
1000	73
1800	123
3500	231

2	フランジ FLANGE	SS41P	1	JIS G3101	ROLLED STEEL FOR GENERAL STRUCTURE
1	本体 BODY	STPG-38-E-C	1	200A, 8" SCHEDULE 80	
品番 ITEM	品名 NAME	材質 MATERIAL	数量 QTY	図番 DWG. No.	摘要 REMARKS

DRAWN	7/May/2013 T.YAMASAKI	TITLE	06-007-1570
CHECKED	7/May/2013 H.MAKI	名称	格納タンク(鋼製)
APPROVED	8/May/2013 H.MAKI		外寸図
SCALE	1/5 MASS 表2参照 SEE TABLE 2	NAME	RETRACTION TANK (STEEL HULL)
DWG. No.	C1229-006-H	REF. No.	06-007-1570-2
		OUTLINE DRAWING	

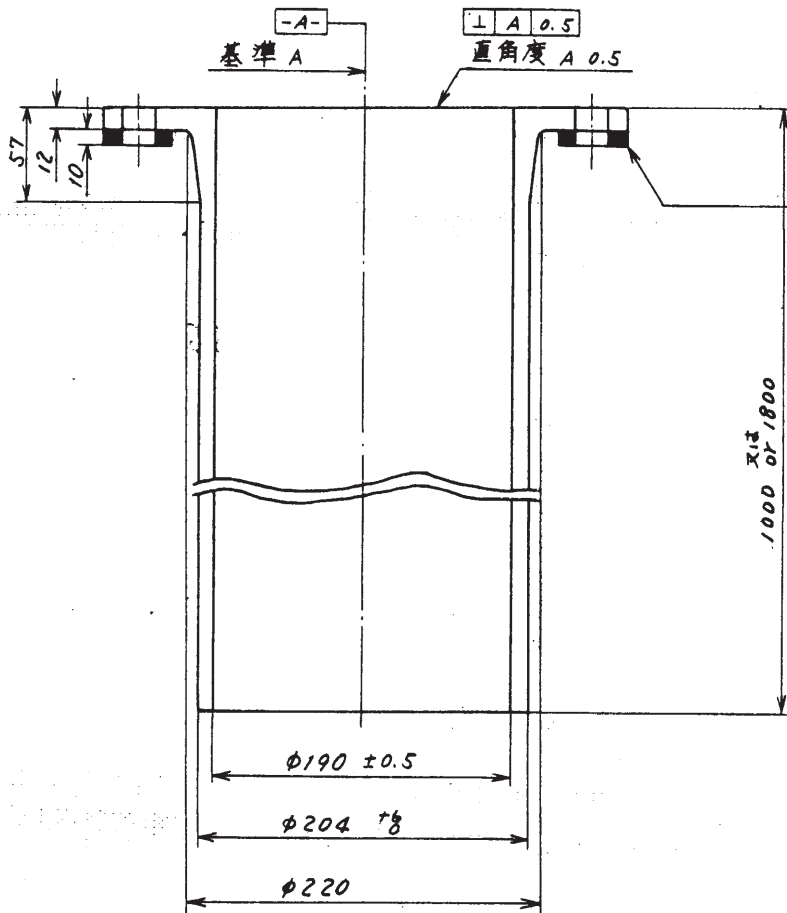
A



格納タンクの長さ;
LENGTH OF
RETRACTION TANK;

Lt = mm

B



鉄製補強フランジ
STEEL
REINFORCING
FLANGE

C

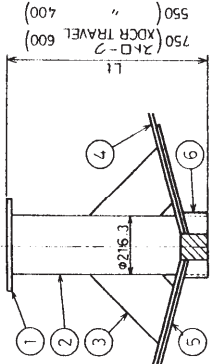
D

単位 UNIT: mm

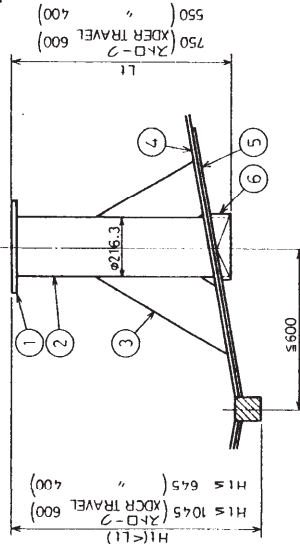
品番 ITEM	品名 NAME	材質 MATERIAL	数量 Q'TY	図番 DWG.NO.	摘要 REMARKS
------------	------------	----------------	------------	---------------	---------------

承認 APPROVED	三角法 THIRD ANGLE PROJECTION		名称 TITLE		
検 CHECKED	尺 SCALE	度 SCALE	FRP製格納タンク外觀図 FRP RETRACTION TANK OUTLINE DRAWING		
製 DRAWN	重 WEIGHT	量 WEIGHT	図番 DWG.NO.		
		1000mm: 20kg 1800mm: 27kg	C1229-007-E		

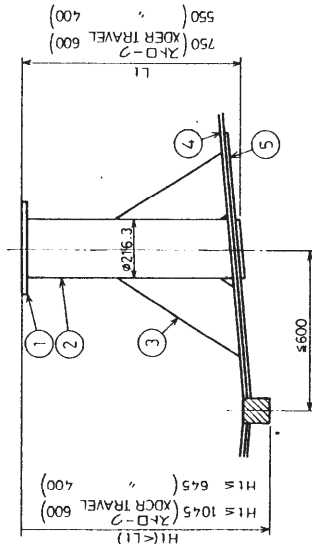
① キール上 (突出) ON KEEL (PROJECTED)



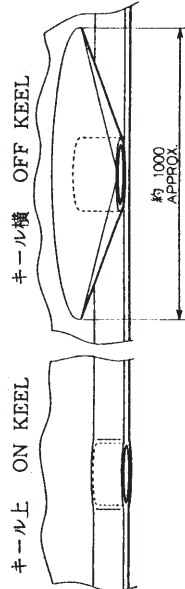
② キール横 (突出) OFF KEEL (PROJECTED)



③ キール横 (非突出) OFF KEEL (NOT PROJECTED)



④ 整流覆 FAIRING PLATE



INSTALLATION METHOD OF RETRACTION TANK

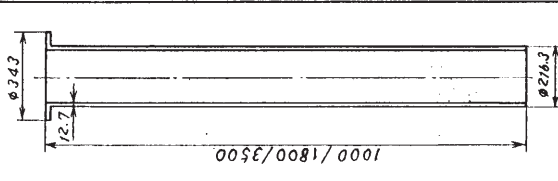
- Cut out $\phi 217$ hole on hull and inner hull plate.
- Install tank to hull plate with fillet welding taking the following points into account.
 - Flange face is horizontal at normal Ship's trim.
 - Allow height "Ht" of flange face from keel bottom as mentioned in the drawings. otherwise transducer beam is blocked by the keel when transducer is fully lowered.
 - Tank's length "Lt" should be less than "Ht", otherwise the tank is protruded below keel level. The tank should be cut to the specified length so that the transducer can be fully protruded. (The tank is supplied with 1000 mm long as standard.)
- Fit doubling plate ③ of outer dia. $\phi 1000$ mm around the tank on hull plate. Fit fairing plate ④ referring to the drawing ④ for installation method ④ and ⑤. Use same material and thickness of doubling and fairing plate as hull plate.
- Provide cofferdam around the tank in order to isolate the tank from the oil tank.
- Install 4 pcs. of reinforcement plates between the tank and the hull plate.
- Allow clearance of more than 100mm below the flange face for easy bolting. Lower the inner hull plate as shown in the drawing ⑥ if the specified clearance is not secured.

装 備 手 順

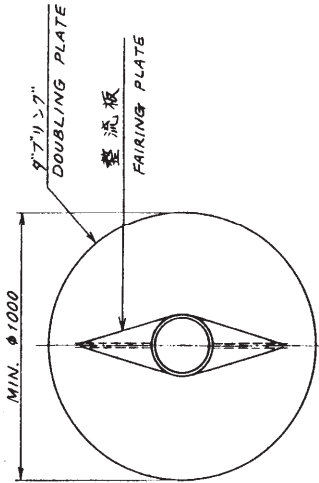
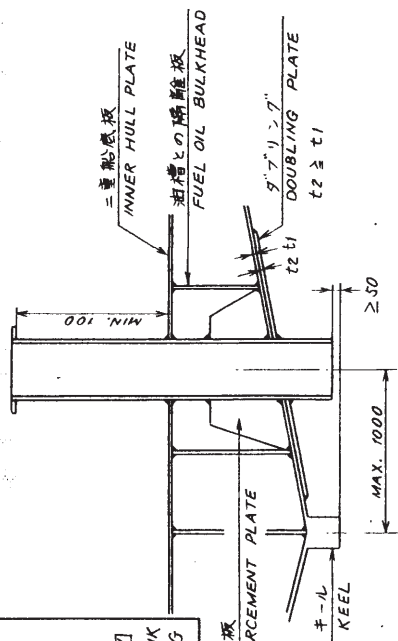
- 船底板及び二重船底板に $\phi 217$ の穴を開ける。
- 次の点に注意して、格納タンクを船底板に連続スミ肉溶接する。
 - タンクのフランジ面が、操縦走行時に水平になる事。
 - 送受波器を突出させた時に送受信ビームがキールで遮られないように、フランジ面のキールよりの高さ "Ht" を図示の範囲内にする事。
 - タンク下端がキールより下に出ないように、タンクの長さ "Lt" は "Ht" より短くする。且つ、送受波器がタンク下端より出ないように図示の範囲内にする。(標準支給長1000mm)
- 格納タンクの周囲に外径 $\phi 1000$ 以上のダブリング③を取り付ける。又、突出接橋 (④、⑤) の場合には、整流覆④ (D図) を取り付ける。ダブリングと整流覆には、船底板と同じ材質、肉厚のものを使用する事。
- タンク周囲に油槽がある場合には、隔壁⑥をめぐらせコfferダム⑥を設ける事。
- タンク周囲4ヶ所以上に補強板⑥を溶接する。
- 上下装置本体を格納タンクにボルト締めるのに必要なスペースとして、フランジ面の位置が二重船底板より100mm以上離す。二重船底が高い船には⑥図の方法で二重船底板を下げ、スペースを確保する事。

品番 ITEM	品名 NAME	材 質 MATERIAL	数 量 QTY	図 番 DWG.NO.	備 考 REMARKS
6	整流覆 FAIRING PLATE				
5	ダブリング DOUBLING				
4	船底板 HULL PLATE				
3	補強板 REINFORCEMENT PLATE				
2	格納タンク RETRACTION TANK				
1	タンクフランジ TANK FLANGE				

DRAWN	APR 25 '97	名 称	格納タンク (備載)
CHECKED	T. KAWASAKI	名 称	格納タンク (備載)
APPROVED	APR 25 '97 K. KAWASAKI	送受波器装置図	
SCALE	1/	NAME	RETRACTION TANK (STEEL HULL)
APPLICABLE TO:	MODEL	BLOCK NO.	
DWG. NO.	C-1273-I01-C		



格納タンク外觀図
RETRACTION TANK
OUTLINE DRAWING



4. 格納タンクの装備は次の条件を満足すること。
 1) 取付位置は船首から1/3 (小型船の場合は1/2) 程度。
 2) キールより1m以内。
 3) フランジのボルト締めのたのフランジ下面と構造物 (ニ重船殻等) との間に100mm以上のスペースがあること。
 4) タンクの先端はキールの先端より50mm以上であること。
 5) タンクのフランジ面は標準走航時に水平であること。

2. 格納タンクの周辺の船殻板に径1000程度のダブルングを施工すること。
 3. 格納タンクの突出部分に網眼板を兼ねた整流板を設けること。
 4. 必要に応じて格納タンク周辺に油槽との隔離板を設けること。
 またタンク周囲、3.4ヶ所を船殻板に向けて補強板を添付すること。

注: 強度及び水密性について、船主、造船所担当者、施工者の間で充分協議し、取付位置、方法、材料等を決定すること。

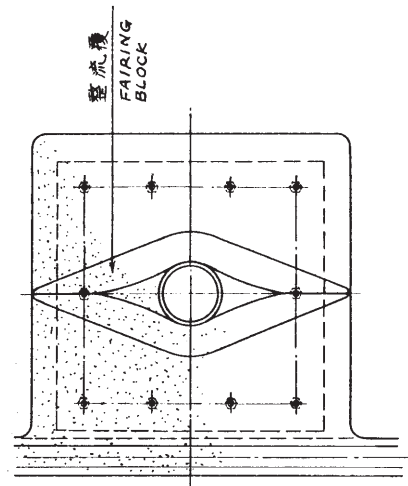
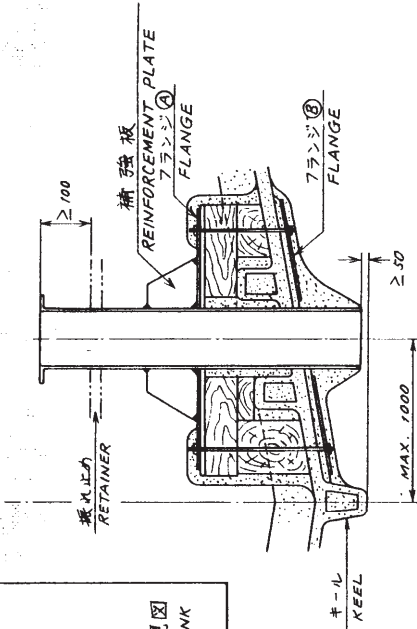
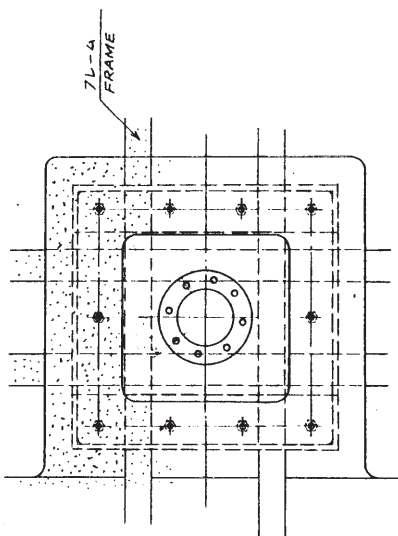
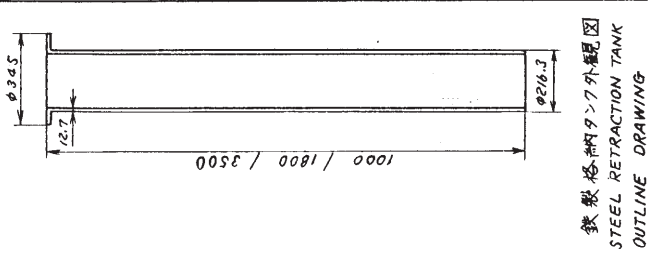
1. SATISFY THE FOLLOWING CONDITIONS IN DECIDING THE RETRACTION TANK MOUNTING SITE.
- 1) ABOUT 1/3 (1/2 IN CASE OF SMALL BOAT) OF SHIP'S LENGTH FROM BOW ON FORE-AFT LINE.
 - 2) WITHIN 1000 mm FROM KEEL LINE.
 - 3) ALLOW CLEARANCE OF MORE THAN 100 mm BENEATH TANK FLANGE TO FACILITATE BOLTING.
 - 4) KEEP LOWEST END OF TANK 50 mm ABOVE BOTTOM OF KEEL.
 - 5) TANK FLANGE SHOULD BE EXACTLY HORIZONTAL WHEN SHIP IS NORMALLY TRIMMED.
2. DOUBLING PLATE OF ABOUT 1000 mm IN DIA. SHOULD BE INSTALLED BY THE SHIPYARD.
3. FAIRING PLATE (NET PROTECTOR) SHOULD BE INSTALLED AROUND THE PARTS OF THE TANK PROTRUDING FROM THE HULL BOTTOM BY THE SHIPYARD.
4. IF REQUIRED, FUEL OIL BULKHEAD AND REINFORCEMENT PLATE SHOULD BE INSTALLED BY THE SHIPYARD.

CAUTION: DISCUSSION SHOULD TAKE PLACE AND AGREEMENT BE REACHED WITH THE SHIPYARD FOR SUFFICIENT REINFORCEMENT AND WATERTIGHTNESS OF THE HULL TO COMPLY WITH THE REGULATIONS CONCERNED.

承認 APPROVED	検査 CHECKED	製図 DRAWN	承認 NOV. 9. 1977	検査 NOV. 8. 1977	製図 1977. 11. 7	品名 NAME	材質 MATERIAL	数量 QTY	図番 DWG. NO.	概要 REMARKS
						三 角 法 THIRD ANGLE PROJECTION				格納タンク船殻養痛図 (鋼船) RETRACTION TANK INSTALL- LATION ON STEEL HULL
						R 度 SCALE				
						重 量 WEIGHT				図番 DWG. NO. C1243-017-F

CSH-5
CSH-5 MARK-2
CH-12/14/16/24/26

単位 UNIT: mm



- 格納タンクの準備は次の条件を満すこと。
1) 取付位置は船首から1/3 (小型船の場合は1/2) 程度。
2) ケールより1m以内。
3) フランジのボルト締付のためのフランジ下面と隣接物 (二重船底等) との間に100mm以上のスペースがあること。
4) タンクの先端はケールの先端より50mm上であること。
5) タンクのフランジ面は標準航時時に水平であること。
- 格納タンクの準備は、次の要領を参考にして行うこと。
1) フレーム間の船底にタンクが通る穴をあける。
2) FRPでフレーム、船底間に固定する。その間にフランジ(A)の取せられる取付台を作り
3) フラジ(A)の取付台にボルトを立立ておく。必要があればフランジ(B)を作りボルトを船底から貫通させる。
4) FRP硬化後タンクがあるかたは中子を抜き取る。
5) フランジ(A)とタンクに接続する。
6) フランジ(A)下面及びタンク外面にFRP-鉄接着剤を塗布した後タンクを取りつける。
7) 浸水を防ぐため各所にFRPで必要箇所を塗り固める。時にタンク内は流線型に成型し水による抵抗及び気泡発生を最少限におこさる様努めること。
8) 水に耐じてタンクのフランジ下面下部100mmの位置より隔壁等に向けて板止めを設けること。またフランジ(A)基盤時、タンクの間隙を充分密着し、取付位置、方法、材質等を決定すること。

注： 破産及び水密性について、船主、造船所担当者、施工者の間で充分協議し、取付位置、方法、材質等を決定すること。

- SATISFY THE FOLLOWING CONDITIONS IN DECIDING THE RETRACTION TANK MOUNTING SITE.
 - ABOUT 1/3 (1/2 IN CASE OF SMALL BOAT) OF SHIP'S LENGTH FROM BOW.
 - WITHIN 1000 mm FROM KEEL LINE.
 - ALLOW CLEARANCE OF MORE THAN 100 mm BENEATH TANK FLANGE TO FACILITATE BOLTING.
 - KEEP LOWEST END OF TANK 50 mm ABOVE BOTTOM OF KEEL.
 - TANK FLANGE SHOULD BE EXACTLY HORIZONTAL WHEN SHIP IS NORMALLY TRIMMED.

- INSTALL THE RETRACTION TANK REFERRING TO THE PROCEDURE BELOW.
 - CUT OUT A HOLE FOR PASSING THE TANK ON THE HULL PLATE.
 - PASS THE TANK OR A CORE HAVING THE SAME DIAMETER AS THE TANK THRU THE HULL PLATE. MAKE A MOUNTING BED WITH WOODEN BLOCK AND FRP AROUND THE TANK OR THE CORE. THIS BED IS USED TO MOUNT THE FLANGE (A).
 - WHEN FABRICATING THE MOUNTING BED, STAND THE BOLTS ON THE BED FOR FIXING THE FLANGE (A). IF NECESSARY, MAKE THE FLANGE (B) TO ENSURE FIXING OF THE FLANGE (A).
 - AFTER FRP IS STIFFENED, DRAW OUT THE TANK OR THE CORE FROM THE MOUNTING BED.
 - WELD THE FLANGE (A) TO THE TANK.
 - APPLY A STEEL-FRP ADHESIVE TO THE TANK AND THE FLANGE (A), AND INSTALL THE TANK WITH FLANGE (A) IN PLACE. SETTLE THE FLANGE (A) WITH BOLTS AND NUTS.
 - APPLY FRP AROUND THE PARTS OF THE TANK PROTRUDING FROM THE HULL BOTTOM FOR SUFFICIENT REINFORCEMENT. MAKE A FAIRING BLOCK WITH FRP AROUND THE PROTRUDING PARTS OF THE TANK TO MINIMIZE THE EFFECT OF AERATION.
 - IF REQUIRED, INSTALL A REINFORCEMENT PLATE WHEN THE FLANGE (A) IS WELDED TO THE TANK. IT IS ADVISABLE TO PROVIDE REINFORCEMENT ANGLES BETWEEN THE TANK AND THE ADJACENT BULKHEAD OR CEILING.

CAUTION: DISCUSSION SHOULD TAKE PLACE AND AGREEMENT BE REACHED WITH THE SHIPYARD FOR SUFFICIENT REINFORCEMENT AND WATERTIGHTNESS OF THE HULL TO COMPLY WITH THE REGULATIONS CONCERNED.

承認 APPROVED	NOV. 9. 1977	品名 NAME	鋼製格納タンク	材質 MATERIAL	数量 QTY	図番 DWG. NO.	備要 REMARKS
検閲 CHECKED	NOV. 8. 1977	三角法 THIRD ANGLE PROJECTION		名称 TITLE	鋼製格納タンク船底液漏箱 (FRP船) STEEL RETRACTION TANK INSTALLATION ON FRP HULL		
製図 DRAWN	1977. 11. 7	重量 WEIGHT		図番 DWG. NO.	C1243-019-F		

CSH-5
CSH-5 MARK-2
CH-12/14/16/24/26

単位 UNIT: mm

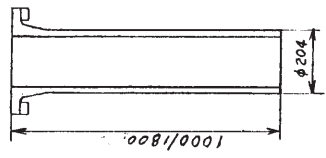
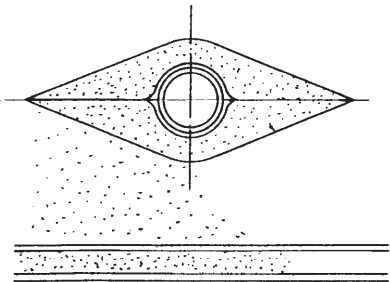
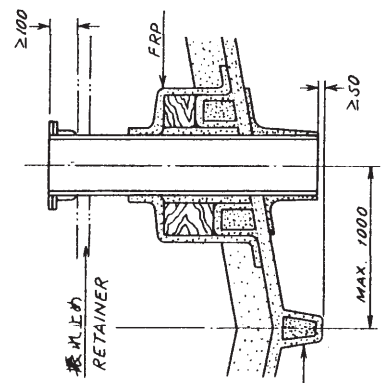
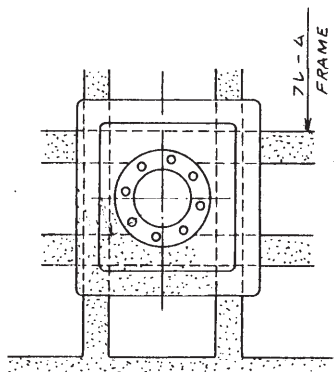
- 格納タンクの装備は次の条件を満たすこと。
 1) 取付位置は船首から1/3 (小型船の場合は1/2)程度。
 2) キールより1m以内。
 3) フランジのボルト締めのためフランジ下面と障害物 (二重船底等)との間に100mm以上のスペースが必要であること。
 4) タンクの先端はキールの先端より50mm上であること。
 5) タンクのフランジ面は標準走航時に水平であること。
- 浸水を防ぐため充分にFRPで必要箇所を塗り固める。特にタンク面は流線型に成型し水による飛泥や気泡発生を最小限におさえる様努めること。
- 必要に応じてタンクのフランジ面下部100mmの位置より隔壁等に向けて撤止めを設けること。

注: 強度及び水密性について、船主、造船所担当者、施工者の間で充分協議し、取付位置、方法、材料等を決定すること。

- SATISFY THE FOLLOWING CONDITIONS IN DECIDING THE RETRACTION TANK MOUNTING SITE.
 - ABOUT 1/3 (1/2 IN CASE OF SMALL BOAT) OF SHIP'S LENGTH FROM BOW.
 - WITHIN 1000mm FROM KEEL LINE.
 - ALLOW CLEARANCE OF MORE THAN 100mm BENEATH TANK FLANGE TO FACILITATE BOLTING.
 - KEEP LOWEST END OF TANK 50mm ABOVE BOTTOM OF KEEL.
 - TANK FLANGE SHOULD BE EXACTLY HORIZONTAL WHEN SHIP IS NORMALLY TRIMMED.

- APPLY FRP AROUND THE PARTS OF THE TANK PROTRUDING FROM THE HULL BOTTOM FOR SUFFICIENT REINFORCEMENT. MAKE A FAIRING BLOCK WITH FRP AROUND THE PROTRUDING PARTS OF THE TANK TO MINIMIZE THE EFFECT OF AERATION.
- IT IS ADVISABLE TO PROVIDE REINFORCEMENT ANGLES BETWEEN THE TANK AND THE ADJACENT BULKHEAD OR CEILING.

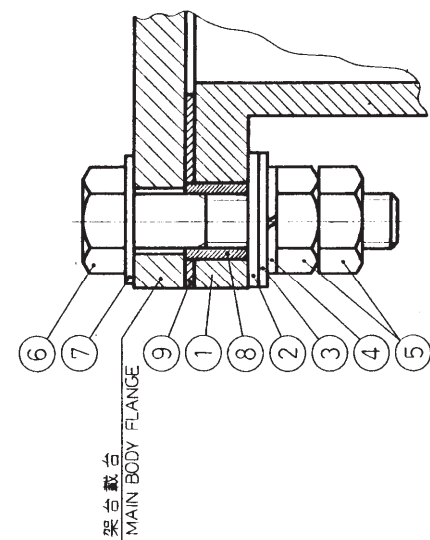
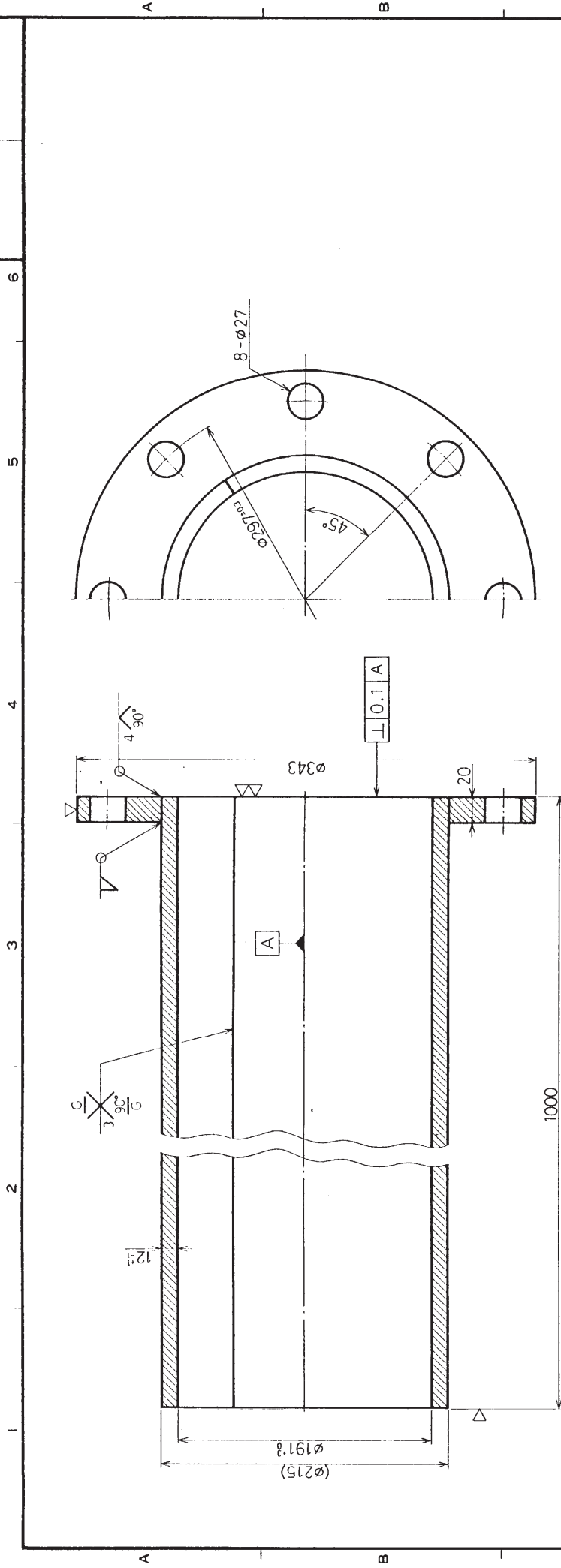
CAUTION: DISCUSSION SHOULD TAKE PLACE AND AGREEMENT BE REACHED WITH THE SHIPYARD FOR SUFFICIENT REINFORCEMENT AND WATERTIGHTNESS OF THE HULL TO COMPLY WITH THE REGULATIONS CONCERNED.



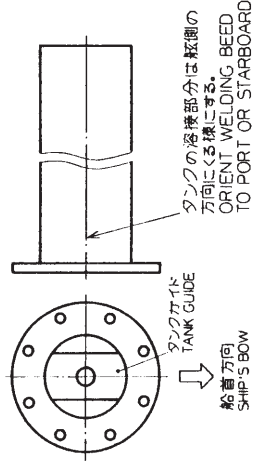
FRP製格納タンク外觀
FRP RETRACTION TANK
OUTLINE DRAWING

承認 APPROVED	品番 ITEM	品名 NAME	材質 MATERIAL	数量 Q.TY	図番 DWG. NO.	備考 REMARKS
検 国 CHECKED	角 法 THIRD ANGLE PROJECTION	尺 度 SCALE	名 称 TITLE	FRP製格納タンク船底装備図 (FRP船)		
製 国 DRAWN	2014.04.23	2014.04.23	FRP RETRACTION TANK /INSTALLATION ON FRP HULL			
2014.04.23	2014.04.23	kg	C1220-038-F			

CSH-5
CSH-5 MARK-2
CH-12/14/16/24/26



α) 格納タンク装備要領
ORIENTATION OF TANK

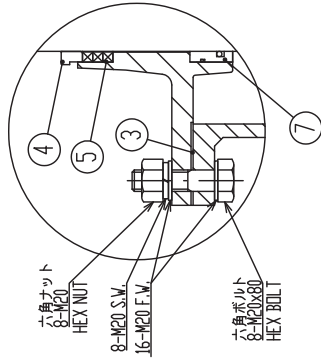
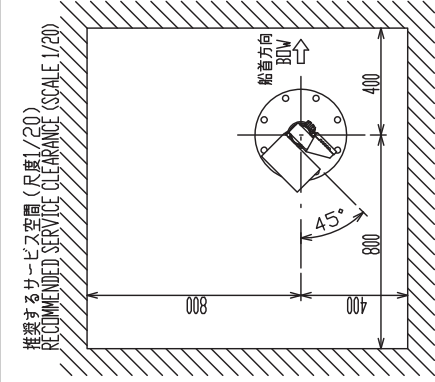


(注) 架台、格納タンクに他の電気機器のアースを取らないこと。
NOTE: DO NOT CONNECT GROUNDING WIRE OF OTHER EQUIPMENT TO RETRACTION TANK.

品番 ITEM	品名 NAME	材質 MATERIAL	数量 Q.TY	図番 DWG.NO.	備考 REMARKS
9	フランジパッキン GASKET	CR	1	SHJ-0009-1	
8	絶縁パッキン(2) INSULATION PACKING (2)	CR	8	MS-1000-68	
7	皿座金 FLANGE WASHER	SUS304	8	M20用	
6	六角ボルト HEX.BOLT	SUS304	8	M20 x 100	
5	六角ナット HEX.NUT	SUS304	8	M20	
4	コイルワッシャー SPRING WASHER		8		
3	ワッシャー WASHER	SUS304	8	SHG-0002	
2	絶縁板(2) INSULATION WASHER (2)	CR	8	SHG-0004	
1	格納タンク(アルミ) RETRACTION TANK	A5083	1	10-044-26011	

承認 APPROVED	DEC-27-90 T. UJIKAWA	三 THIRD	角 ANGLE	法 PROJECTION	名 TITLE
検 CHECKED	DEC 27. 90 T. Miyoshi	R	度 SCALE	/	格納タンク(アルミ)外寸図 RETRACTION TANK (ALUMINIUM)
製 DRAWN	DEC-27-90 H. USUDA	重 WEIGHT	3.5 kg	図 DWG. NO.	C1273-G09-A

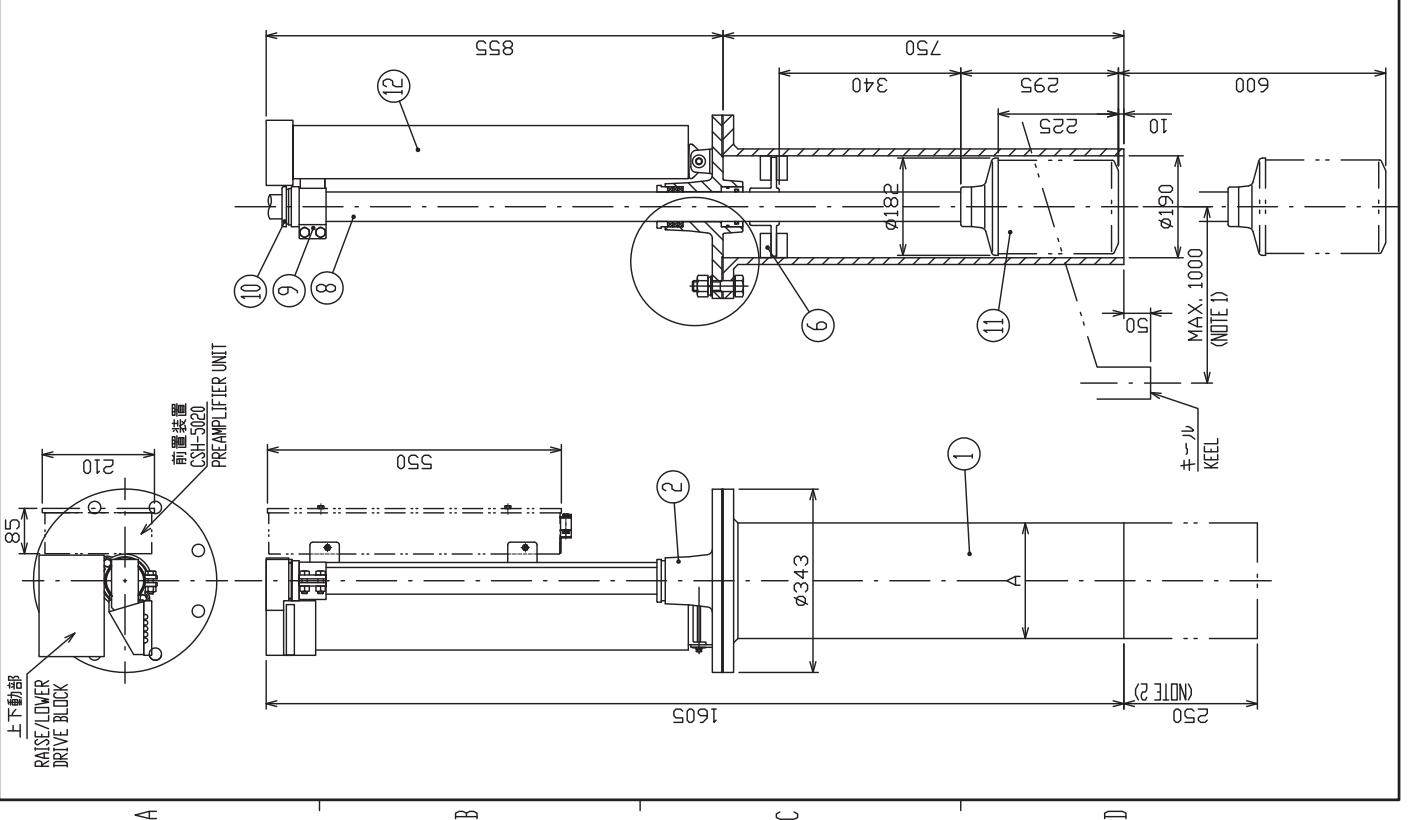
CSH-5



タンクの材質 MATERIAL OF TANK	外径(A) DIA.(mm)
FRP	φ204
鉄 STEEL	φ216.3

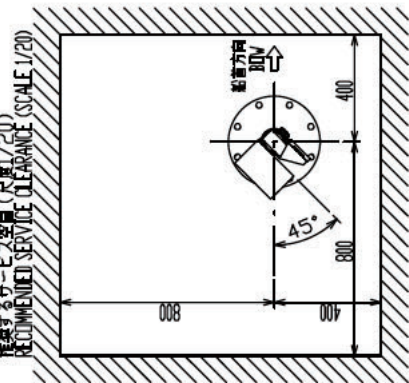
- 注記
- 1) 装備位置は船首から1/3 (小型船では1/2) 程度でキールから1 m以内とする。
 - 2) 格納タンクは装備位置に応じて250mm以内で切断する。
 - 3) 左図のごとく船首-船尾ラインと上下動部の角度が約45°となるよう装備する。図では上下動部は左舷船尾側に位置しているが、右舷船尾側、左舷船首側、または、右舷船首側でもよい。
 - 4) 装備後は装備要領書を参照し船音線調整を行うこと。

- NOTE
- 1) THE HULL UNIT IS GENERALLY PLACED ABOUT 1/3 (1/2 IN CASE OF SMALL BOAT) OF THE SHIP'S LENGTH FROM THE BOW ON THE FORE-AFT LINE AND BESIDE THE KEEL LINE (LESS THAN 1000 mm FROM KEEL LINE).
 - 2) CUT THE TANK WITHIN 250 mm IN LENGTH ACCORDING TO INSTALLATION METHOD.
 - 3) THE HULL UNIT SHOULD BE ORIENTED SO THAT THE SHIP'S FORE-AFT LINE CROSSES THE RAISE LOWER DRIVE BLOCK AT AN ANGLE OF APPROXIMATELY 45° AS SHOWN AT LEFT. NOTE THAT POSITIONS WHICH ARE ROTATED IN 90° STEPS FROM THE SHOWN POSITION ARE ALSO ALLOWED.
 - 4) HEADING ADJUSTMENT SHOULD BE PERFORMED AFTER INSTALLATION, REFERRING TO THE INSTALLATION MANUAL.



品番 ITEM	品名 NAME	数量 QTY	図番 DWG. NO.	REMARKS
12	上下動部 RAISE/LOWER DRIVE BLOCK	1		
11	送受波器 TRANSUDICER	1		
10	括止め金具 STOPPER	1		
9	シャフト取付金具 SHAFT RETAINER	1		
8	上下シャフト(1) MAIN SHAFT(1)	1		
7	U-パッキン U-PACKING	1	ISI 55 65 6	
6	タンクガイド TANK GUIDE	1		
5	グリスコットン GREASE COTTON	1		D9.5x0.7m
4	グリスコットン押さえ台 GREASE COTTON RETAINER	1		
3	フランジパッキン GASKET	1	SHJ-0009-1	
2	架台胴台 MAIN BODY FLANGE	1		
1	格納タンク RETRACTION TANK	1		質量に含まず NOT INCLUDED IN MASS 構造要 領書

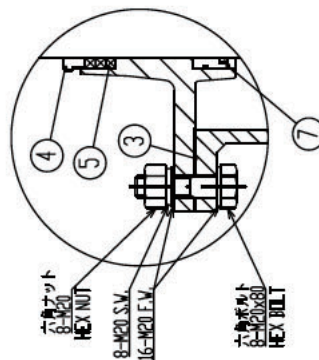
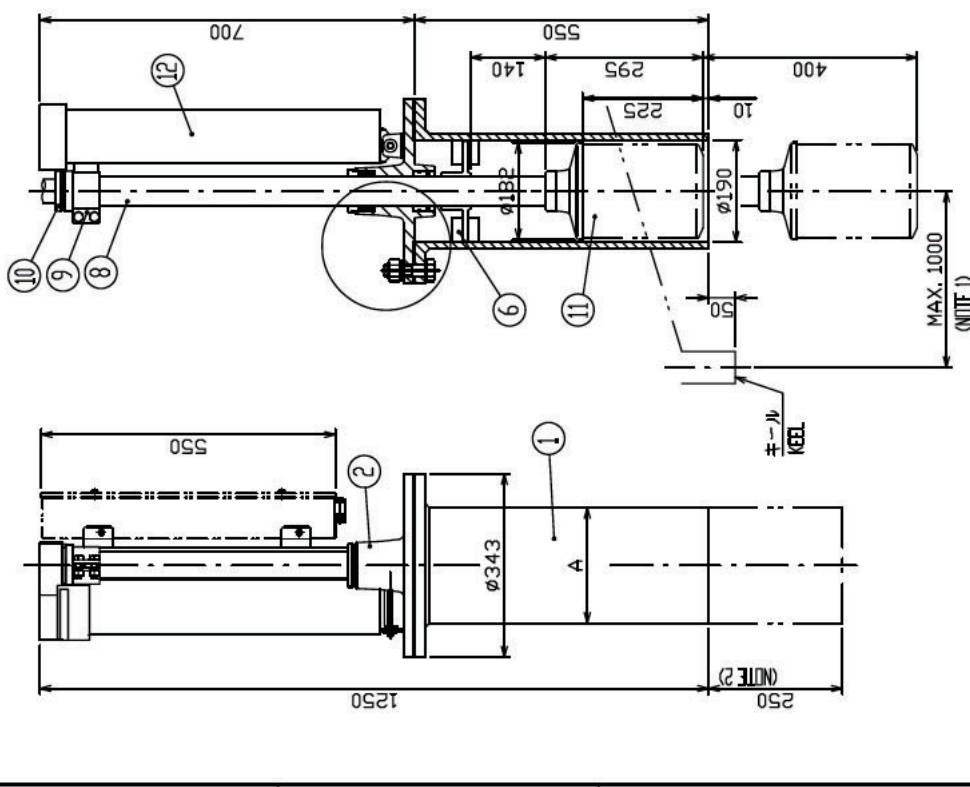
DRAWN	5/Feb/2015	I. YAMASAKI
CHECKED	5/Feb/2015	H. MAKI
APPROVED	6/Feb/2015	H. MAKI
SCALE	1/10	300K
REF. No.	10-067-3000-GO	
品名	上下装置 (600mm ストローク)	
図番	外寸図	
図名	HULL UNIT (600mm TRAVEL)	
図種	OUTLINE DRAWING	



- 注記**
- 1) 装備位置は船首から1/3 (小型船では1/2) 程度でキールから1m以内とする。
 - 2) 格納タンクは装備位置に応じて250mm以内で切断する。
 - 3) 左図のごとく船首-船尾ラインと上下動機の角度が約45°となるよう装備する。図では上下動機は左舷船尾側に位置しているが、右舷船尾側、左舷船首側、または、右舷船首側でもよい。
 - 4) 装備後は装備要領書を参照し船首傾調整を行うこと。

NOTE

- 1) THE HULL UNIT IS GENERALLY PLACED ABOUT 1/3 (1/2 IN CASE OF SMALL BOAT) OF THE SHIP'S LENGTH FROM THE BOW ON THE FORE-AFT LINE AND BESIDE THE KEEL LINE (LESS THAN 1000 mm FROM KEEL LINE).
- 2) CUT THE TANK WITHIN 250 mm IN LENGTH ACCORDING TO INSTALLATION METHOD.
- 3) THE HULL UNIT SHOULD BE ORIENTED SO THAT THE SHIP'S FORE-AFT LINE CROSSES THE RAISE LOWER DRIVE BLOCK AT AN ANGLE OF APPROXIMATELY 45° AS SHOWN AT LEFT. NOTE THAT POSITIONS WHICH ARE ROTATED IN 90° STEPS FROM THE SHOWN POSITION ARE ALSO ALLOWED.
- 4) HEADING ADJUSTMENT SHOULD BE PERFORMED AFTER INSTALLATION. REFERING TO THE INSTALLATION MANUAL.

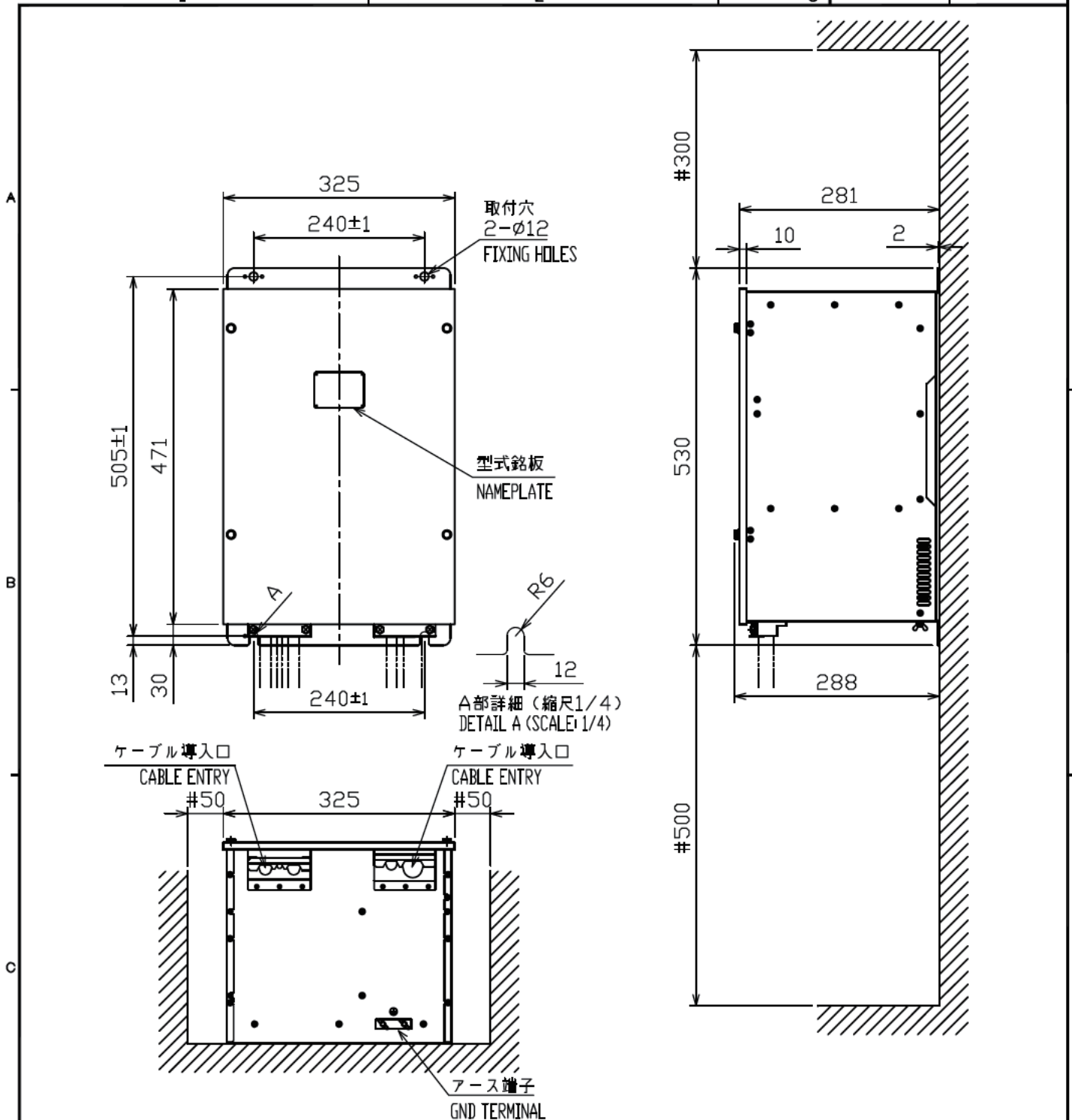


取付部詳細
DETAIL FOR FIXING

タンクの材質 MATERIAL OF TANK	FRP
外径(A) OUTER DIA	φ204
鋼板の厚さ PLATE THICKNESS	φ216.3

ITEM	品名	数量	単位	図番	備注
12	上下動機 RAISE/LOWER DRIVE BLOCK	1			
11	送受波器 TRANSCEIVER	1			
10	停止め器具 STOPPER	1			
9	シャフト取付金具 SHAFT RETAINER	1			
8	上下シャフト(1) MAIN SHAFT(1)	1			
7	シーリング U-PACKING	1		NS 55 65 6	
6	タンクガイド TANK GUIDE	1			
5	グリスコットン GREASE COTTON	1			D9.5x0.7h
4	グリスコットン押さえ台 GREASE COTTON RETAINER	1			
3	フランジパッキン GASKET	1		SHJ-0009-1	
2	船台 MAIN BODY FLANGE	1			
1	格納タンク RETRACTION TANK	1			質量は含まず NOT INCLUDED IN MASS

図番 FIG. No.	C273-606-E
スケール SCALE	1/10
承認 APPROVED	6/Feb/2015 HAMAKI
設計 DESIGN	6/Feb/2015 I.YAMASAKI
タイトル TITLE	CSH-5041/5041A
名称 NAME	上下装置 (400mmストローク)
外寸図 OUTLINE DRAWING	
機内ユニット (400mm TRAVEL)	
備考 REMARKS	



注 記

- 1) 指定外の寸法公差は表 1 による。
- 2) # 印寸法は最小サービス空間寸法とする。
- 3) 取付用ネジは M10 ボルトまたはコーチボルト呼び径 9 を使用のこと。

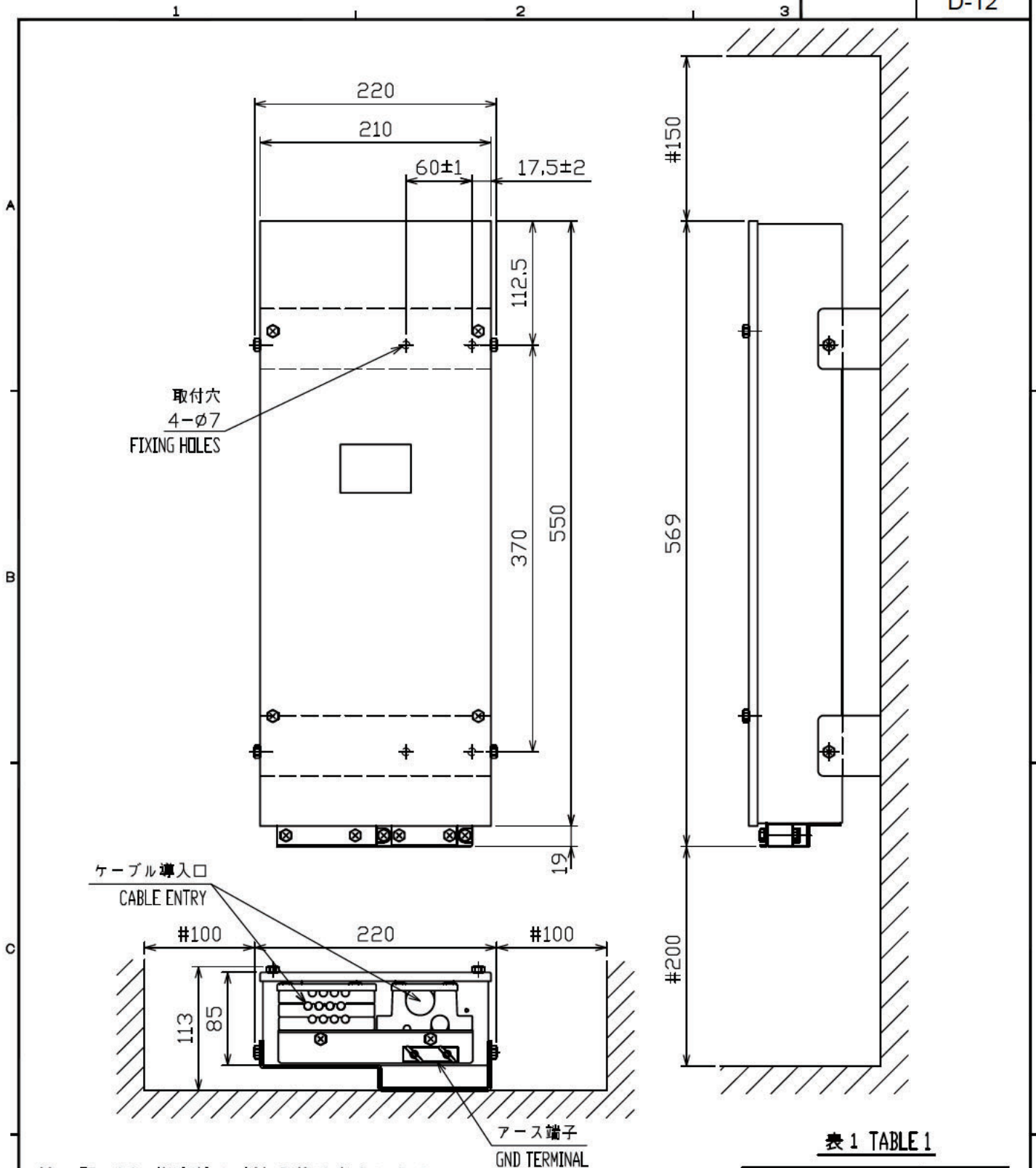
NOTE

1. TABLE 1 INDICATES TOLERANCE OF DIMENSIONS WHICH IS NOT SPECIFIED.
2. #: MINIMUM SERVICE CLEARANCE.
3. USE M10 BOLTS OR COACH SCREWS φ9 FOR FIXING THE UNIT.

表 1 TABLE 1

寸法区分 (mm) DIMENSION	公差 (mm) TOLERANCE
L ≤ 50	±1.5
50 < L ≤ 100	±2.5
100 < L ≤ 500	±3
500 < L ≤ 1000	±4

DRAWN 5/Feb/2015 I.YAMASAKI	TITLE CSH-5030/5130/5130A
CHECKED 5/Feb/2015 H.MAKI	名称 送受信装置
APPROVED 6/Feb/2015 H.MAKI	外寸図
SCALE 1/8 MASS 20 ±10% kg	NAME TRANSCIVER UNIT
DWG. No. C1273-G07-E	REF. No. 10-044-410G-1
OUTLINE DRAWING	

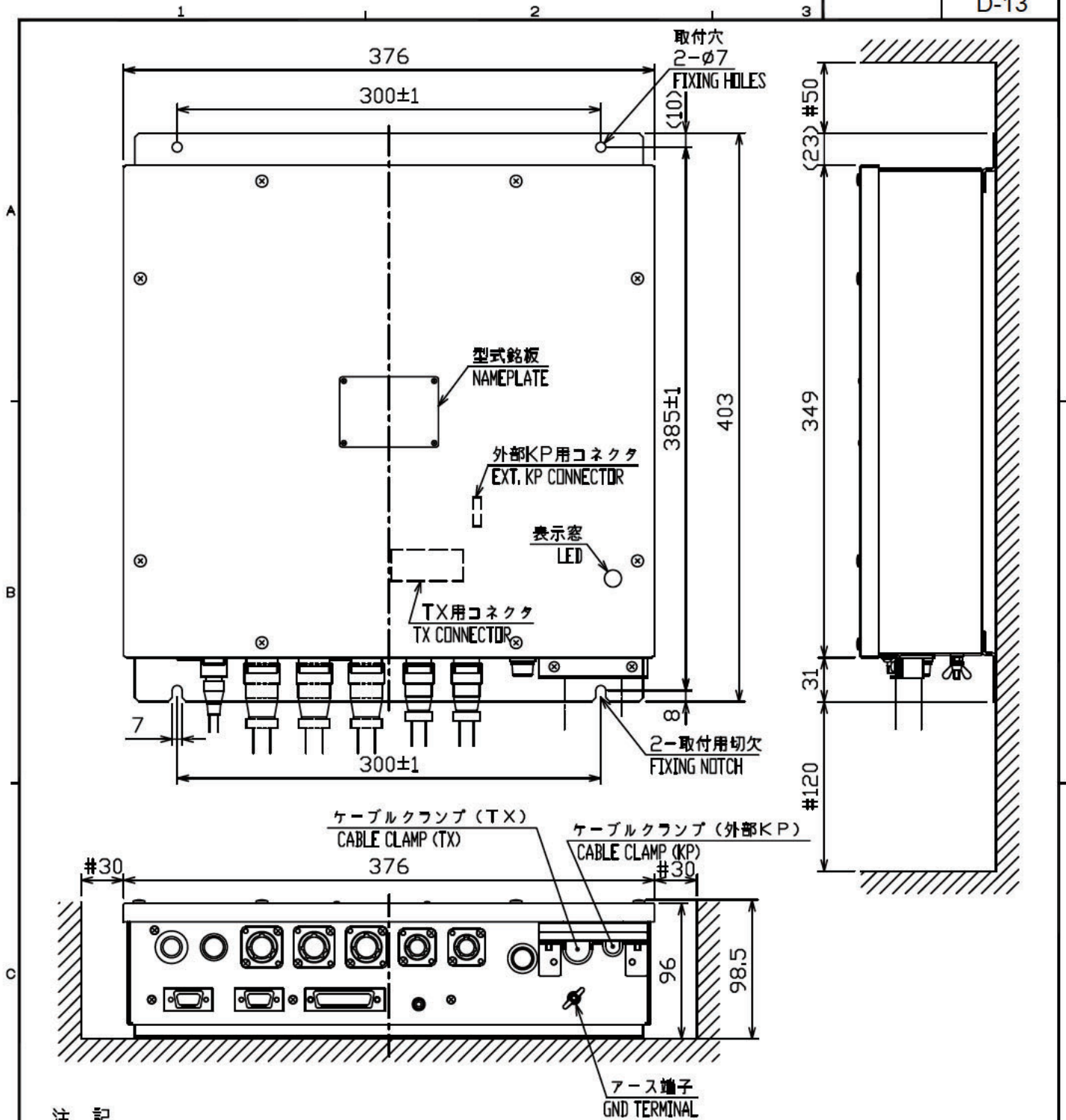


- 注 記 1) 指定外の寸法公差は表 1 による。
 2) #印寸法は最小サービス空間寸法とする。
 3) 取付用ネジは M6 ボルトを使用のこと。
- NOTE 1. TABLE 1 INDICATES TOLERANCE OF DIMENSIONS WHICH IS NOT SPECIFIED.
 2. #: MINIMUM SERVICE CLEARANCE.
 3. USE M6 BOLTS FOR FIXING THE UNIT.

表 1 TABLE 1

寸法区分 (mm) DIMENSION	公差 (mm) TOLERANCE
L ≤ 50	±1.5
50 < L ≤ 100	±2.5
100 < L ≤ 500	±3
500 < L ≤ 1000	±4

DRAWN 5/Feb/2015 T.YAMASAKI	TITLE CSH-5020/5020A
CHECKED 5/Feb/2015 H.MAKI	名称 前置装置
APPROVED 6/Feb/2015 H.MAKI	CSH-575L MARK-2 CSH-5/5L 外寸図
SCALE 1/5 MASS 6.5 ±10% kg	NAME PREAMPLIFIER UNIT
DWG. No. C1273-G04-E	REF. No. 10-044-200G-2 OUTLINE DRAWING



注 記

- 1) 指定外の寸法公差は表1による。
- 2) #印寸法は最小サービス空間寸法とする。
- 3) 取付用ネジはM6ボルトまたはコーチねじ呼び径6を使用のこと。

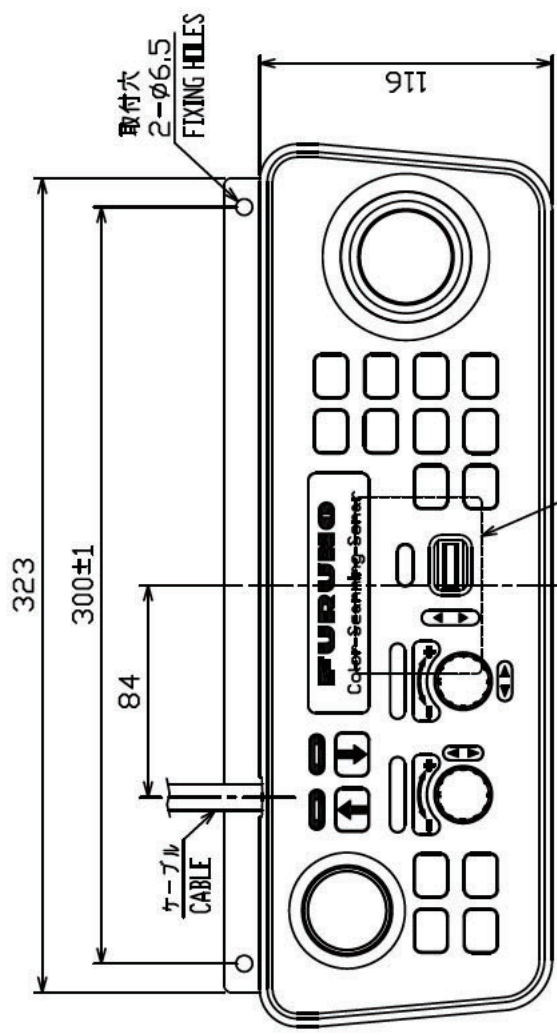
NOTE

1. TABLE 1 INDICATES TOLERANCE OF DIMENSIONS WHICH IS NOT SPECIFIED.
2. # MINIMUM SERVICE CLEARANCE.
3. USE M6 BOLTS OR COACH SCREWS φ6 FOR FIXING THE UNIT.

表1 TABLE 1

寸法区分 (mm) DIMENSION	公差 (mm) TOLERANCE
L ≤ 50	±1.5
50 < L ≤ 100	±2.5
100 < L ≤ 500	±3

DRAWN 5/Feb/2015 T.YAMASAKI		TITLE CSH-5210/5210A
CHECKED 5/Feb/2015 H.MAKI		名称 制御部
APPROVED 6/Feb/2015 H.MAKI	CSH-5L78L MARK-2 CSH-5L/8L	外寸図
SCALE 1/4	MASS 3.4 ±10% kg	NAME PROCESSOR UNIT
DWG. No. C1319-G01-C	REF. No. 10-078-300G-1	OUTLINE DRAWING



矢視 A VIEW A

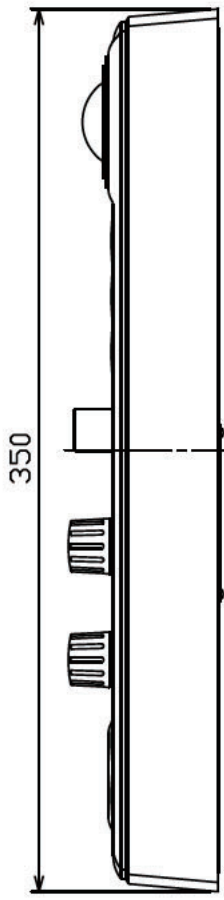
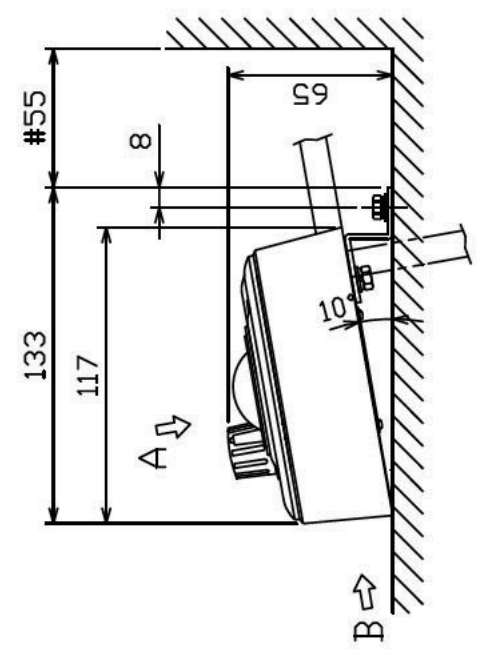


表 1 TABLE 1

寸法区分 (mm) DIMENSION	公差 (mm) TOLERANCE
L ≤ 50	±1.5
50 < L ≤ 100	±2.5
100 < L ≤ 500	±3



注 記

- 1) 指定外の寸法公差は表 1 による。
- 2) #印寸法は最小サービスクリアランスとする。
- 3) 取付用ネジは M5 ボルトまたはトラスタップピンネジ呼び径 5 を使用のこと。

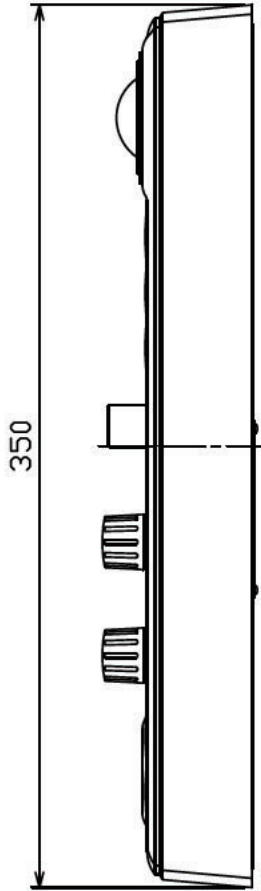
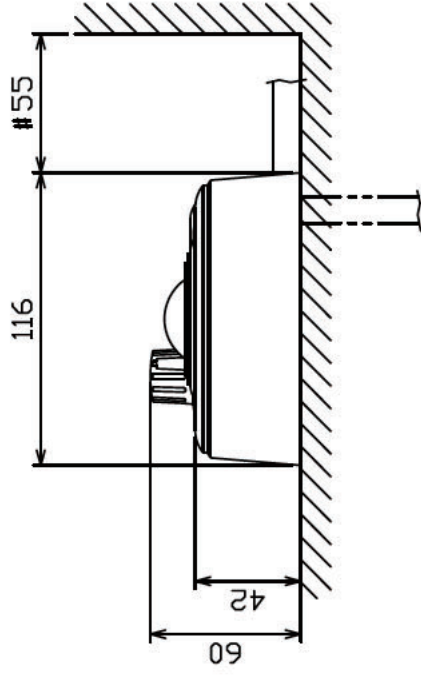
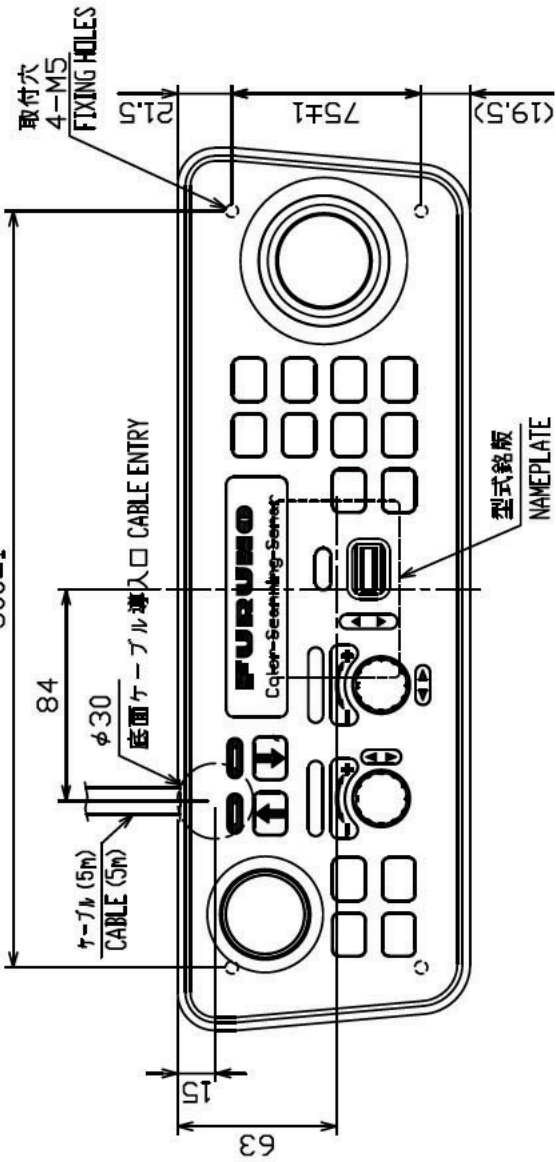
NOTE

1. TABLE 1 INDICATES TOLERANCE OF DIMENSIONS WHICH IS NOT SPECIFIED.
2. # MINIMUM SERVICE CLEARANCE.
3. USE M5 BOLTS OR TAPPING SCREWS φ5 FOR FIXING THE UNIT.

DRAWN 26/Mar/2015 I.YAMASAKI	TITLE CSH-5211/5211A
DESIGNED 26/Mar/2015 H.MAKI	名称 操作部 (卓上装置、金具付)
APPROVED 30/Mar/2015 H.MAKI	外寸図
SCALE 1/3	質量はケーブル (STP) を含む。 MASS INCLUDES SW CABLE.
FIG.No. C1319-G02-D	図番 10-078-200G-2

表 1 TABLE 1

寸法区分 (mm) DIMENSION	公差 (mm) TOLERANCE
L ≤ 50	±1.5
50 < L ≤ 100	±2.5
100 < L ≤ 500	±3



注 記

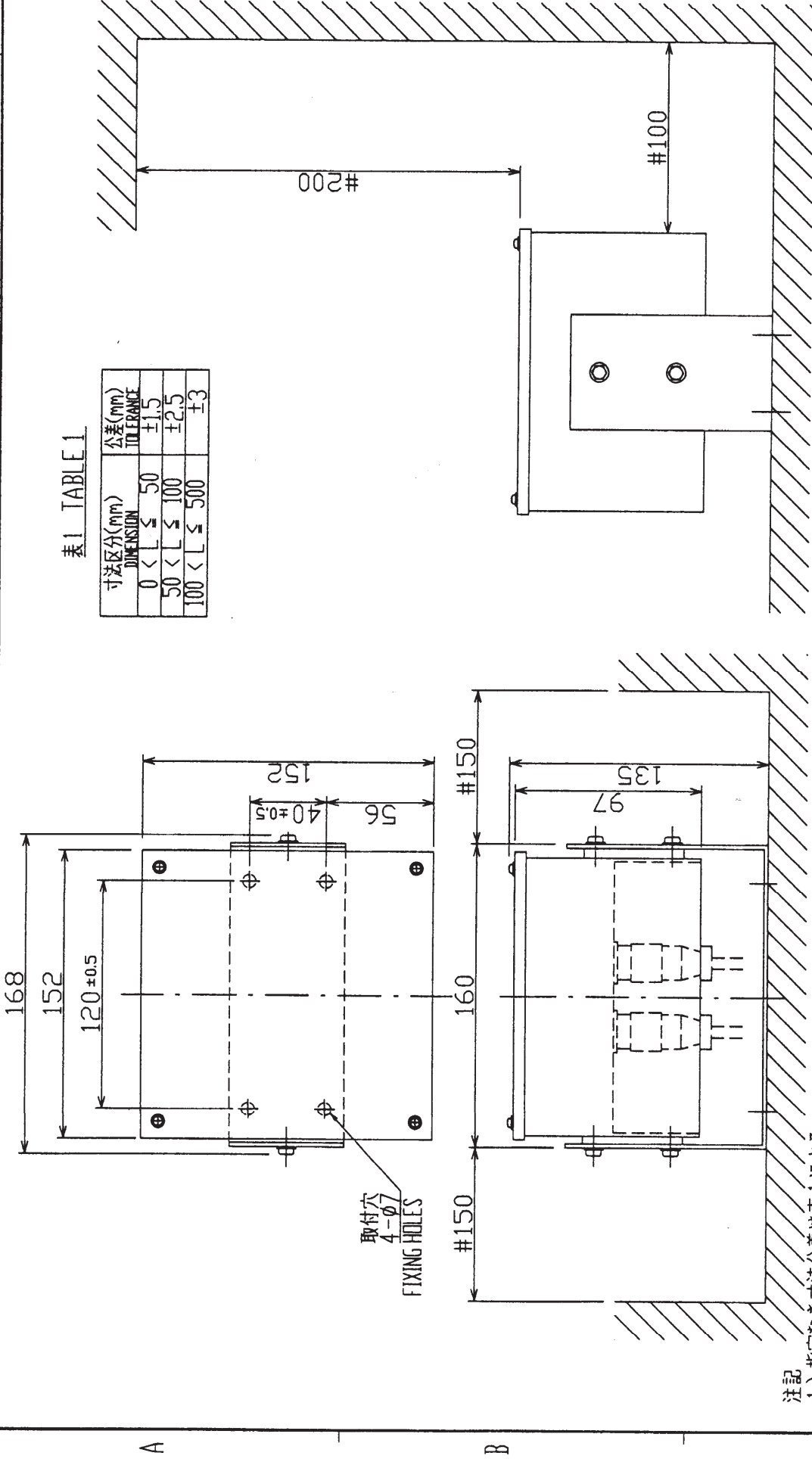
- 1) 指定外の寸法公差は表 1 による。
- 2) # 印寸法は最小サービス空間寸法とする。
- 3) 取付用ネジは M5 ボルトを使用のこと。
ボルトが内部に 12 mm 以上入り込まないこと。

NOTE

1. TABLE 1 INDICATES TOLERANCE OF DIMENSIONS WHICH IS NOT SPECIFIED.
2. # MINIMUM SERVICE CLEARANCE.
3. USE M5 BOLTS FOR FIXING THE UNIT.
DO NOT FASTEN BOLTS INTO UNIT 12 mm OR MORE.

DRAWN	5/Feb/2015	I.YAMASAKI	TITLE	CSH-5211/5211A
ORDERED	5/Feb/2015	H.WAKI	名称	操作部 (卓上装置)
APPROVED	9/Feb/2015	H.WAKI	外寸図	
SCALE	1/3	質量 3.2 kg	NAME	CONTROL UNIT (TABLETOP MOUNT)
DWG. No.	CI319-G03-C	REF. No. 10-078-201G-1	OUTLINE DRAWING	

2 3 4



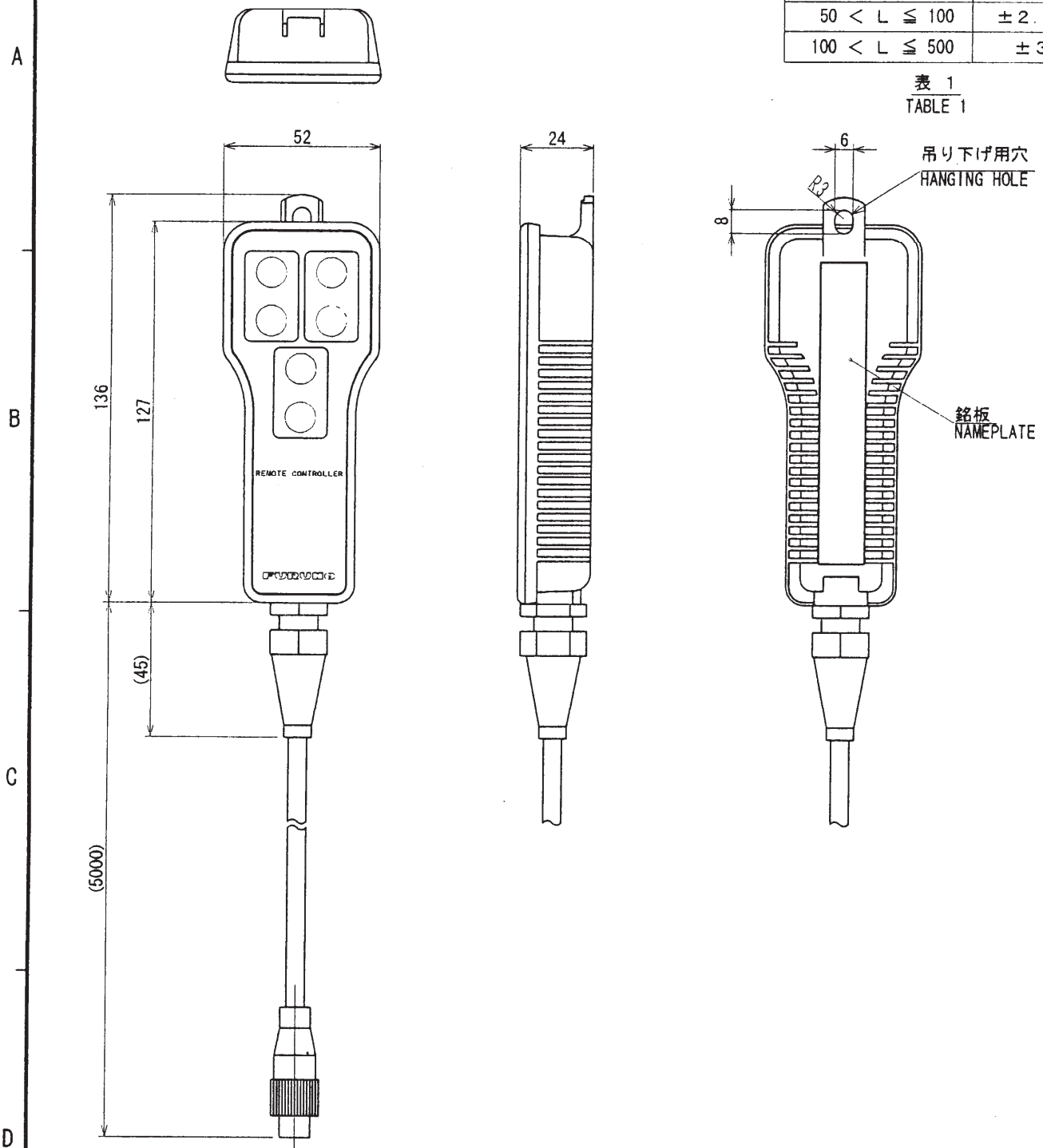
DRAWN NO. 6-01 I YAMASAKI	TITLE MS-100
CHECKED MAY 6 1961	名称 動揺検出器
APPROVED MAY 6 1961	外寸図
SCALE 1/3	NAME MOTION SENSOR
MASS 1.1 kg	OUTLINE DRAWING
DWG. No. C1278-G01-B	

- 注記
- 1) 指定なき寸法公差は表1による。
 - 2) #：推奨する最小サービス空間寸法。
 - 3) 船首マーク(FORE)を船首方向に向けて、きょう体を水平に取り付けること。

NOTE

1. TABLE 1 INDICATES TOLERANCE OF DIMENSIONS.
2. #: RECOMMENDED SERVICE CLEARANCE.
3. ORIENT THE 'FORE' MARK ON THE UNIT TOWARD SHIP'S BOW AND MOUNT THE UNIT LEVEL IN PARALLEL WITH SURFACE.

寸法区分 (mm) DIMENSION	公差 (mm) TOLERANCE
$0 < L \leq 50$	± 1.5
$50 < L \leq 100$	± 2.5
$100 < L \leq 500$	± 3

 表 1
TABLE 1


注記 1) 指定なき寸法公差は表 1 による。

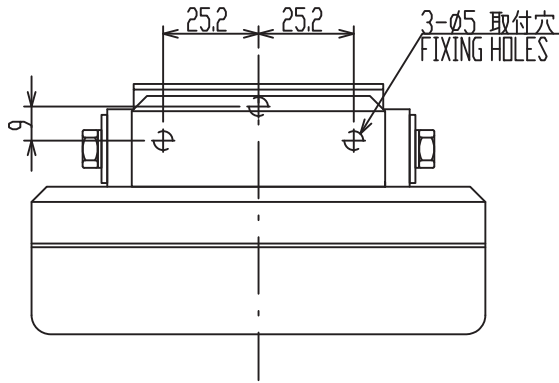
NOTE 1. TABLE 1 INDICATES TOLERANCE OF DIMENSIONS.

DRAWN Sep 21 '00 T. YAMASAKI		TITLE	CSH-7040
CHECKED Sep 21 '00 T. Yam		名称	リモートコントローラ
APPROVED Sep 21 '00 T. Yam	CSH-7		外寸図
SCALE 1/2	MASS $\pm 10\%$ 0.25 kg	質量はケーブル重さを含む MASS W/ CABLE	NAME REMOTE CONTROLLER
DWG. No.	C1302-G05- B	10-061-5000- G1	OUTLINE DRAWING

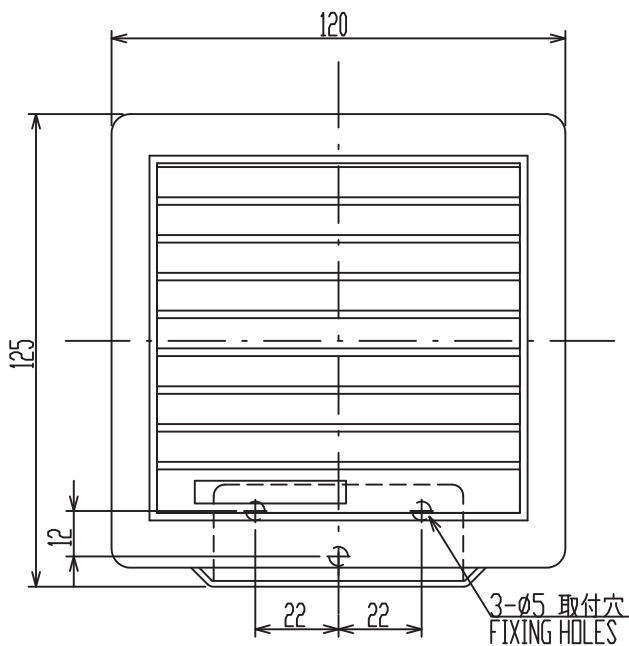
表1 TABLE 1

寸法区分(mm) DIMENSIONS	公差(mm) TOLERANCE
0 < L ≤ 50	±1.5
50 < L ≤ 100	±2.5
100 < L ≤ 500	±3

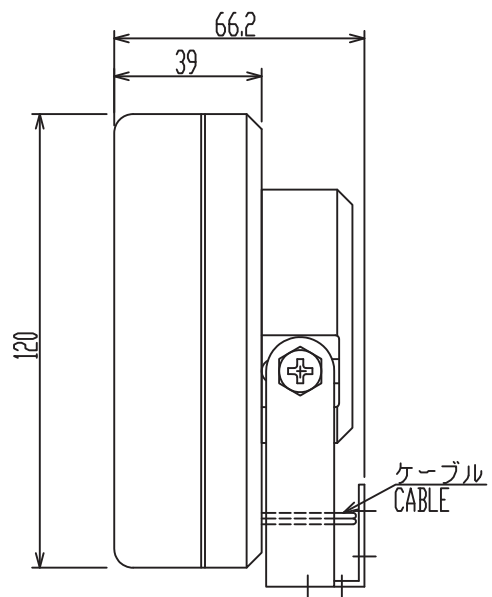
A



B



C

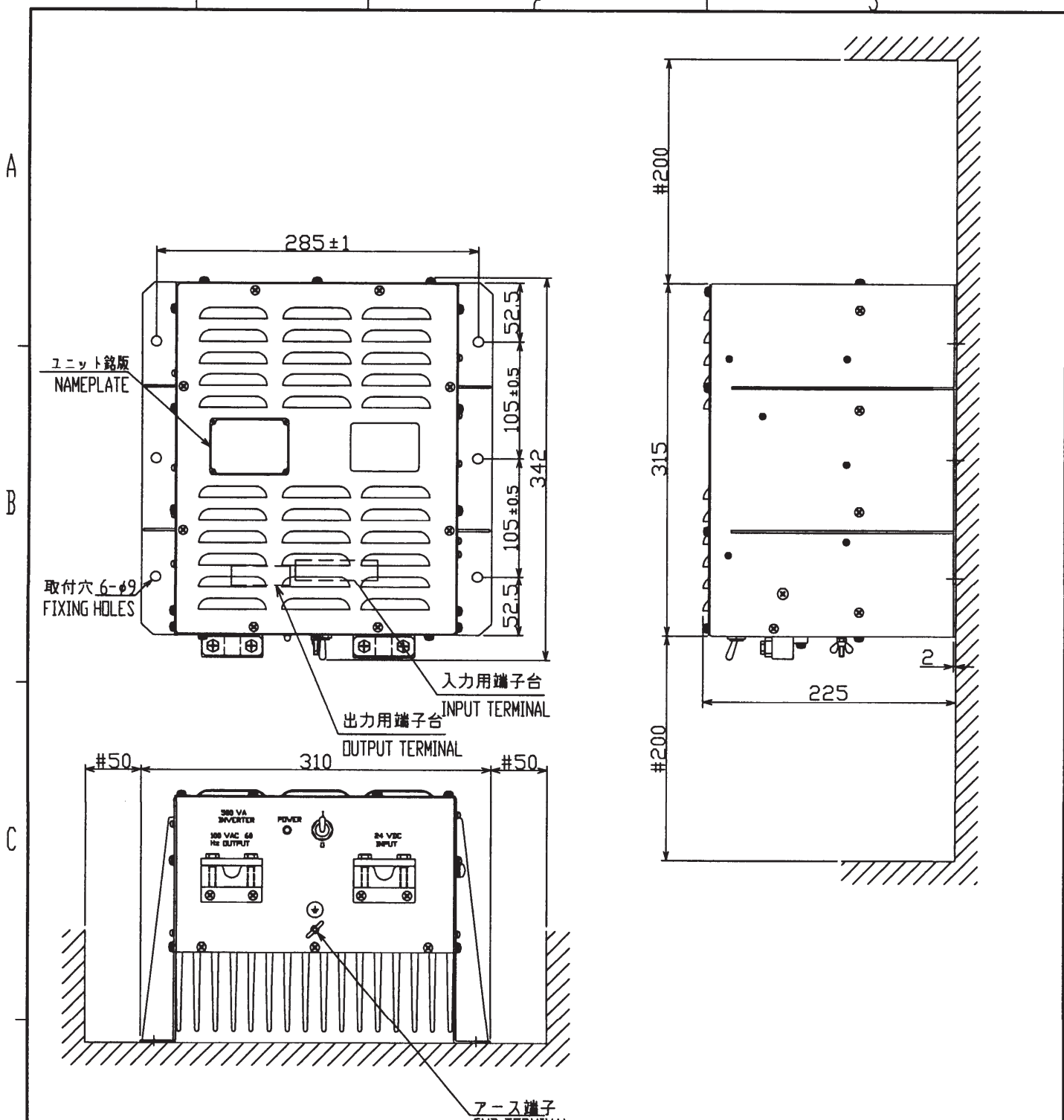


D

注記 1) 指定外寸公差は表1による。

NOTE 1. TABLE 1 INDICATES TOLERANCE OF DIMENSIONS WHICH IS NOT SPECIFIED.

DRAWN	Nov. 25, '06	E. MIYOSHI	TITLE	SEM-21Q
CHECKED		TAKAHASHI, T	名称	スピーカ
APPROVED		Y. Hatai		外寸図
SCALE	1/2	MASS 0.54 ±10% kg	質量は2.8mケーブルを含む MASS W/ 2.8m CABLE	NAME
DWG.No.	C5016-G07-C	REF.No.		LOUDSPEAKER
				OUTLINE DRAWING



注記

- 1) 指定なき寸法公差は表1による。
- 2) #: 推奨するサービス空間寸法。
- 3) 取付けにはM8ボルトまたはコーチボルト呼び径8を使用のこと。

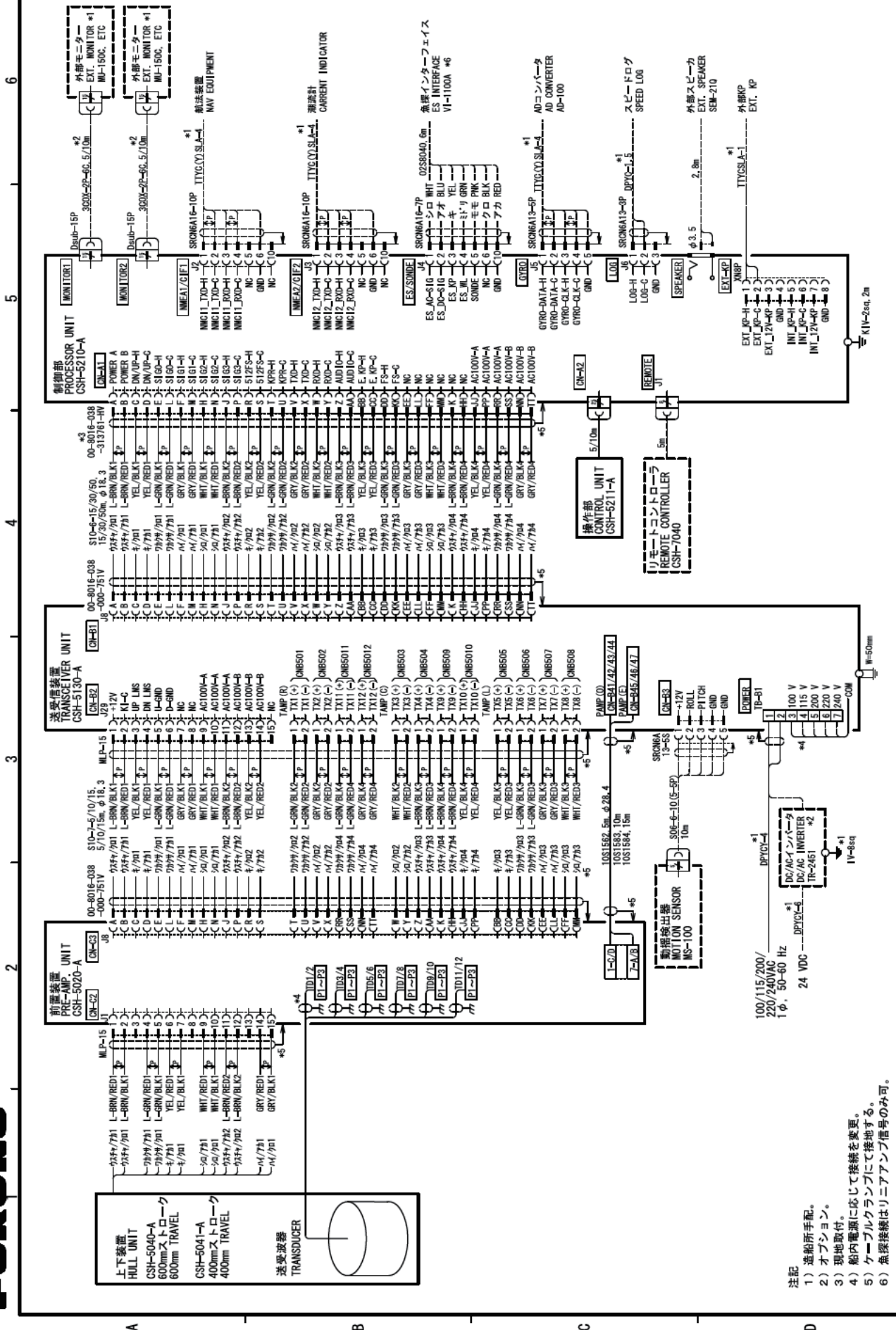
NOTE

1. TABLE 1 INDICATES TOLERANCE OF DIMENSIONS.
2. #: RECOMMENDED SERVICE CLEARANCE.
3. USE M8 BOLTS OR COARCH SCREWS $\phi 8$ FOR FIXING THE UNIT.

寸法区分(mm) DIMENSION	公差(mm) TOLERANCE
$0 < L \leq 50$	± 1.5
$50 < L \leq 100$	± 2.5
$100 < L \leq 500$	± 3

表1 TABLE 1

DRAWN	Dec. 13 '02 T.YAMASAKI	TITLE	TR-2451
CHECKED	Dec. 16 '02 Y.KIMURA	名称	DC/ACインバータ
APPROVED	Dec. 16, '02 <i>Y. Kimura</i>		外寸図
SCALE	1/5	NAME	DC/AC INVERTER
DWG.No.	C1319-G04-B		OUTLINE DRAWING



DRAWN	17/Feb/2015	R. FUJIIYAMA	TITLE	CSH-5L MARK-2
CHECKED	17/Feb/2015	T. YAMASAKI	名称	カラスキャンソナー
APPROVED	16/Mar/2015	H. MAKI		相互接続図
SCALE	1/1	KE	NAME	COLOR SCANNING SONAR
ENG. No.	C1350-C01-A	REF. No.	INTERCONNECTION DIAGRAM	

- 注記
- 1) 造船所手配。
 - 2) オプション。
 - 3) 現地取付。
 - 4) 船内電源に応じて接続を変更。
 - 5) ケーブルランブにて接地する。
 - 6) 魚探接続はリニアアンプ信号のみ可。
- NOTE
- *1: SHIPYARD SUPPLY.
 - *2: OPTION.
 - *3: FITTED LOCALLY.
 - *4: CHANGE WIRE CONNECTION AS POWER SOURCE.
 - *5: GROUND THRU CABLE CLAMP.
 - *6: E/S CONNECTABLE BY LINEAR AMP SIGNAL ONLY.